

Neles™ angle pattern globe valves

Series AU, AB, AM

Neles A series angle pattern globe valves are economical high-performance control valves designed to provide the best possible control accuracy and wide rangeability with the all inherent benefits of linear control valves. The A series valves are designed for use in modulating control, available with Unbalanced trim, Balanced cage trim and Omega™ multistage trim. They provide reliable operation and are well suited for many different kind of applications.

The angle pattern valves are especially suitable for severe applications where high pressure drop and erosive fluid exist. The flow in an angle valve does not impact directly into the body as it exits the trim, instead, it passes straight down into the downstream piping, which is an advantage if the fluid is erosive and moving at high velocity. Standard valves are equipped with spring diaphragm actuators and Neles intelligent valve controllers for precise flow control, extended operational life and performance monitoring on-line.



Construction

- Various construction design available with a range of different end styles and connections
- The Omega standard balanced trim design is based on 2 or 3 dimensional multistage cage and balanced plug.
- The multistage trim shape defines the flow path through the valve and flow characteristics of the valve (linear, equal percentage or others), standard trim characteristic is linear.
- The balancing holes are located in the top of the plug. This trim is specially suited to high pressure drop application and is used in the majority of control applications.
- Wide variety of trims with different Cv and characteristics
- Both metal and soft seats are available depending the application
- Optional bellows seal for toxic or other applications where no stem seal leakage is allowed
- Wide material selection for different applications
- Many end connection styles available for different applications
- Extension bonnet design for wide temperature range

Wide range of applications

- Suitable for gas, liquid and steam
- Wide temperature ranges from -196... +593 °C (-320...+1099 °F) with different bonnet constructions. Temperature limits -29 ... +425 °C / (-20 ... +797 °F) with standard bonnet construction, over +425 °C (+797 °F) and under -29 °C / (-20 °F) with extended bonnets
- Large variation of trim designs for multi-turns and passages for low-noise, and anti-cavitation applications
- Wide range of applicable noise control components, silencers, attenuate plates
- Inherently characterized trim offered in linear, and optionally Equal percentage.
- Large range of trims per size allowing for wide rangeability in process conditions

- Clamped cage for heavy duty guiding on severe service applications
- High integrity cage guiding system
- Double packing available

Accurate control

- ND9000 digital valve controller for auto-calibration and accurate control
- Accurate and sensitive diaphragm and cylinder actuators
- Stable flow control with high rangeability
- Low-noise, anti-cavitation control and erosion resistant trims
- Streamline flow passage to secure capacity

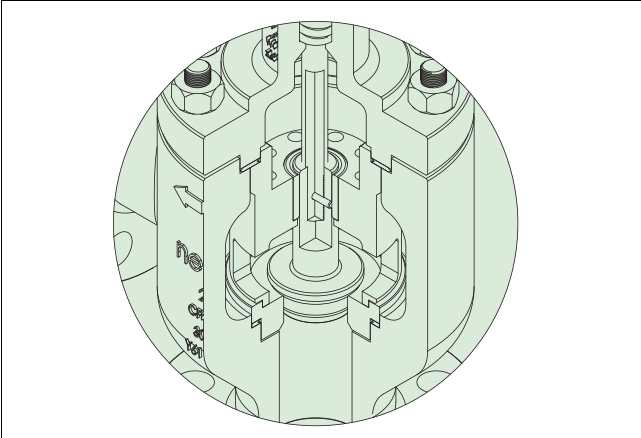
Safety and quality

- Rugged one piece body structure to minimize the leak paths and makes the valve insensitive to pipe stress
- Strictly tested to ensure specified performance with quality assurance systems in according to ISO 9001
- Certified ISO 15848 fugitive emissions
- Certified CE/PED & ATEX, TSG & EAC (GOST-R)
- Certified SIL(Safety Integrity Level) in accordance to IEC61508

Easy maintenance

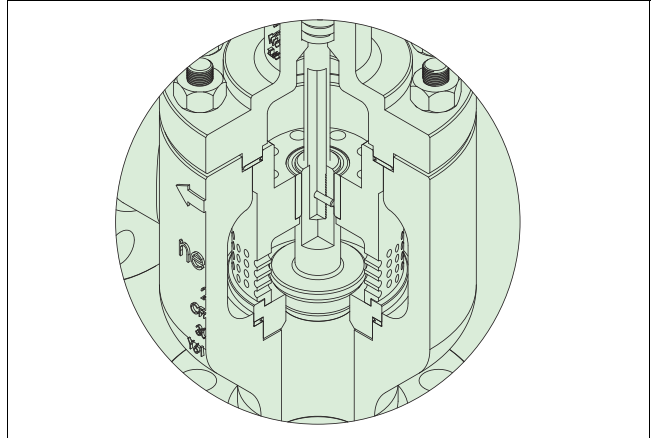
- Quick change trim and top entry construction for easy in-line maintenance
- Valve assembly is easy and self guiding
- Flow characteristics can be easily changed with interchangeable trim parts
- Neles digital valve controller with online diagnostics enables performance follow up and predictive maintenance
- Efficient asset management with any FDT frame application and excellent networking capabilities

AU, Different trim designs



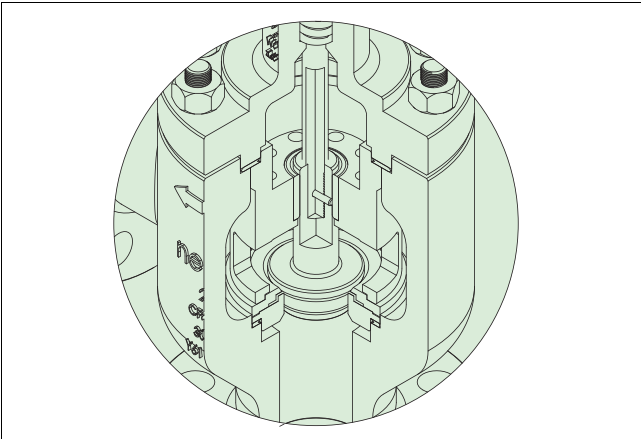
AU, Standard contoured trim

AU, Quick change standard contoured plug offers a smooth flow profile.
The trim is most suited to low pressure drop application and is used in the majority of control applications.



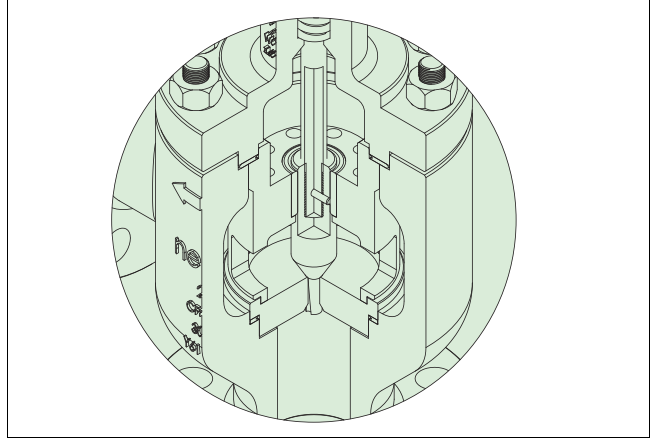
AU, Tendril trim

AU, Tendril trim is multi drilled hole trim.
This gives excellent resistance to noise on high pressure drop applications.



AU, Soft seat trim

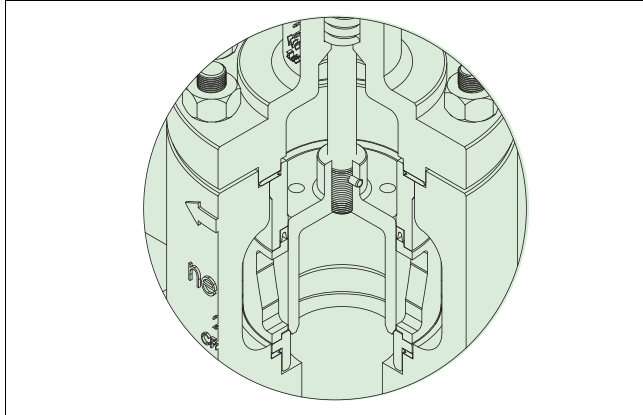
AU, Soft seat option is used on applications where bubble tight shut off, seat leakage class VI is required.



AU, Micro trim

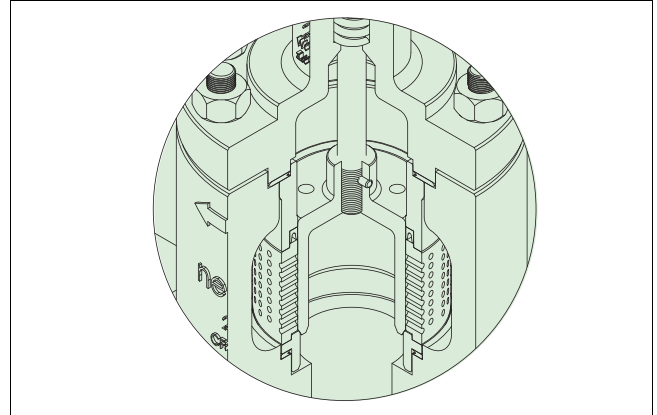
AU, Micro trim design is an ideal selection for the very low flow rates which is from rated Cv 0.003 to 0.1.

AB, Different trim designs



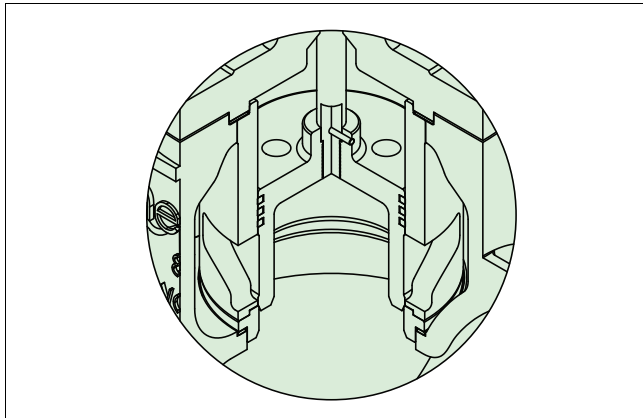
AB, Quick change, standard cage trim

The standard cage trim is designed with a specially represented window shape cage and balanced plug. The window shape defines the flow path and the flow characteristic of the valve (linear, equal percentage, others). The balancing holes are located in the top of the plug. This trim is suited for both high and low pressure drop application and is used in the majority of control applications.



AB, Tendril™ Multi-hole trim

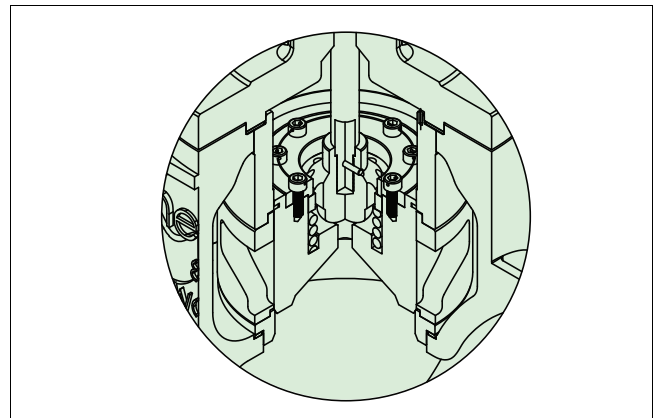
The trim design presented a multi-hole trim. There are Tendril 1 or Tendril 2 designs in standard depending on pressure drop and potential for cavitation. The pressure drop is divided by multi-hole so that the pressure progressively reduces as it passes through the trim. This gives excellent resistance to cavitation on high pressure drop applications.



AB, Multiple graphite seal rings, one piece cage trim

This design is suitable for various high temperature applications including high pressure applications ultimately. The 3-layer graphite seal rings are inserted on the plug groove surface.

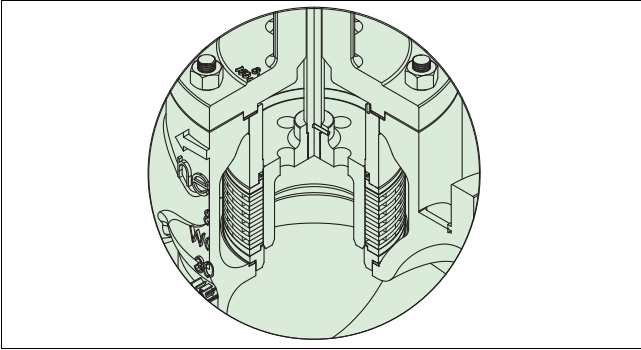
One piece cage leads the stable plug motion to achieve the seat tightness class IV. The trim is suitable with both standard cage and Tendril trims.



Pilot balanced trim

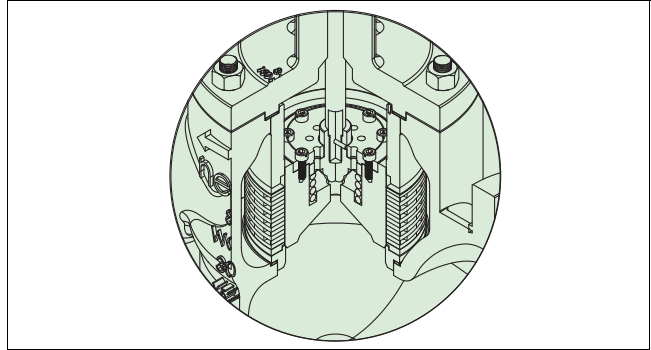
Pilot balanced trim construction is designed to be used in high temperature applications as the design is fully made of metal and it has only metal-to-metal sealing surfaces. The trim is suitable with both standard cage and Tendril trim. This design has excellent seat tightness up to FCI 70-2 Class V.

Different trim designs



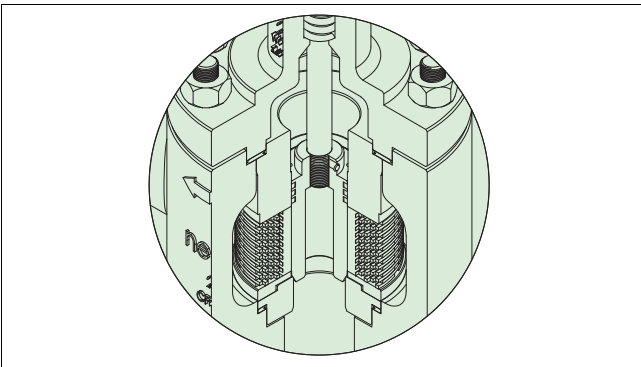
AM, Omega quick change, Standard balanced trim

The Omega standard balanced trim design is based on 2 or 3 dimensional labyrinth disk stack cage and balanced plug. The opened disk stack shape defines the flow path through the valve and flow characteristics of the valve (linear, equal percentage, others), standard trim characteristic is linear. The balancing holes are located in the top of the plug. This trim is specially suited to high pressure drop application and is used in the majority of control applications.



AM, Omega quick change, Pilot balanced trim

Pilot balanced trim construction is designed with a special pilot plug & seat built-in the main plug. The design gives excellent seat tightness on high pressure drop and high temperature applications. The design applicable TSO (Tight Shut Off, seat leakage class V) requirement in high temperature services.



AM, Multiple graphite seal rings, Omega trim

This design is suitable for various high temperature applications including high pressure applications ultimately. The 3-layer graphite seal rings are inserted on the plug groove surface. Wide guiding area of Omega leads the stable plug motion to achieve the seat tightness class IV.

Application guide

AU, Temperature range & seat leakage class with different bonnet & seat applications

Valve size Inch	ASME rating	Seat type	Temperature range (°C)		Seat leakage class (ANSI B 16,104)	
			Standard bonnet	Extension bonnet	Standard	Optional
Up to 6	150 - 1500	Metal	-29...+425	-196...+593	IV	V
	150 - 600	Soft	-29...+232	-196...+232	VI	

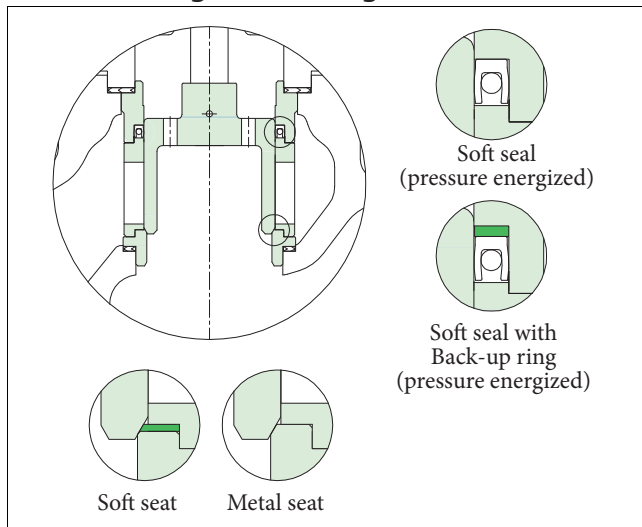
AB/AM, Temperature range

PTFE + Graphite pressure energized seal with metal seat:	-56...+260 °C
PTFE + Graphite + Carbon pressure energized seal with metal seat:	-56...+320 °C
PTFE pressure energized seal with metal seat:	-196...+232 °C
Multiple graphite seals with metal seat:	-56...+540 °C
Pilot balanced trim with metal seat:	-56...+593 °C

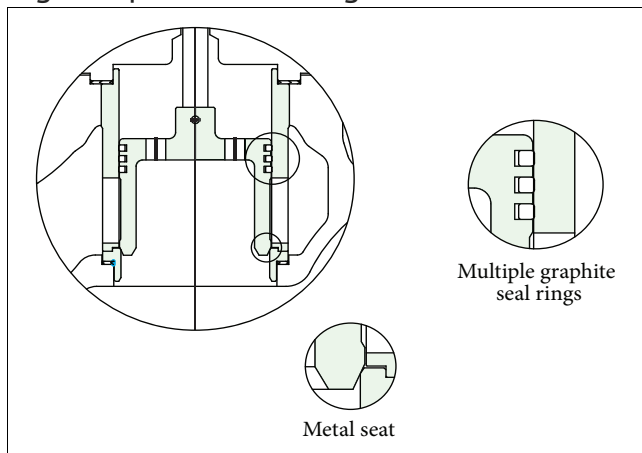
Shut-off classification

ANSI FCI 70-2 Class IV and V available with metal and soft seat.

Pressure energized seal ring construction



High temperature seal ring construction



Temperature range with different body and stud/nut materials

Body, bonnet material	Stud, nut material	Temp. range (°C)	Sign
Carbon steel (WCB, A105)	ASTM A193-B7M STUD / ASTM A194-2HM NUT	-29...+425	G
Stainless steel (CF3, CF8, CF3M, CF8M)	ASTM A193-B8M / ASTM A194-8M NUT	-196...+425	D
Cr.Mo. Steel (WC6, F11, WC9, F22, C12A, F91)	ASTM A193-B16 STUD ASTM A194-7 NUT	-29...+593	H

Trim materials

AU/AB/AM, trim				Temp. range (°C)	Sign
Plug	Stem	Seat	Retainer/cage/Disk		
410 SS	630 SS + HCr	410 SS	630 SS	-29...+425	P1XBCS1R1X
316 SS	316 SS + HCr	316 SS	316 SS	-196...+425	T6XTCS1T6X
316 SS + Cobalt based	316 SS + HCr	316 SS + Cobalt based	316 SS	-196...+425	T6ATCS1T6A
316SS + Full cobalt based (plug and plug guide)	XM-19	316SS + Full cobalt based	316 SS	-196...+593	T6ATCS1T6A...H(sign 19)
420 J2	XM-19	420 J2	420 J2	-10...+540	P2XVXS1P2X
316 SS + HCr	316 SS + HCr	316 SS	316L SS	-196...+425	T6XTCS1R4X
316 SS	316 SS + HCr	316 SS + HCr	316 SS	-196...+232	*
630 SS	630 SS + HCr	410 SS	410 SS	-29...+425	*
Inconel 625, 718, 750				-196...+593	*

*Please contact Valmet.

Gasket applications

Body, bonnet material	Gasket Material	Temp. range (°C)	Sign
Carbon steel (WCB, A105)	S/W (Spiral wound) 316L + Graphite	-29...+425	S
Stainless steel (CF3, CF8, CF3M, CF8M)	S/W (Spiral wound) 316L + Graphite	-56...+425	S
	S/W (Spiral wound) 316L + PTFE	-196...+232	L
Cr.Mo. Steel (WC6, WC9, F22, C12A, F91)	S/W (Spiral wound) 316L + Hi-Graphite	-29...+593	H

Packing applications

Packing material	Temp (°C)	Pr. Class	Sign
PTFE + Carbon fiber (Braided TEF + Graphite)	-196... +260	Up to Class 900	G
PTFE V-Ring	-96...+232	Up to Class 900	T
Graphite (with Mold + Braided)	-56...+400	Up to Class 2500	F*
Hi-Graphite (with Mold + Braided)	-56...+593	Up to Class 2500	H

*Graphite packing with low emission, live loaded construction can be applicable up to 425 °C.

Flow direction

Series	General plug		Plug	General plug & High temp balanced plug				Pilot balanced plug			
	Retainer			Cage							
	General	Tendril		General	Tendril 1 (Gas)	Tendril 1 (Liquid)	Tendril 2 (Gas)	Tendril 2 (Liquid)	General	Tendril 1	Tendril 2
AU	FTO or FTC	FTO or FTC	AB	FTC	FTO	FTC	FTO	FTC	FTC	FTC	FTC

Series	General plug (Balanced plug) & High temp balanced plug		Pilot balanced plug	Unbalanced plug
	Disk stack			
	General (Gas)	General (Liquid)	General	General
AM	FTO	FTC	FTC	FTO

* FTO: Flow to open
FTC: Flow to close

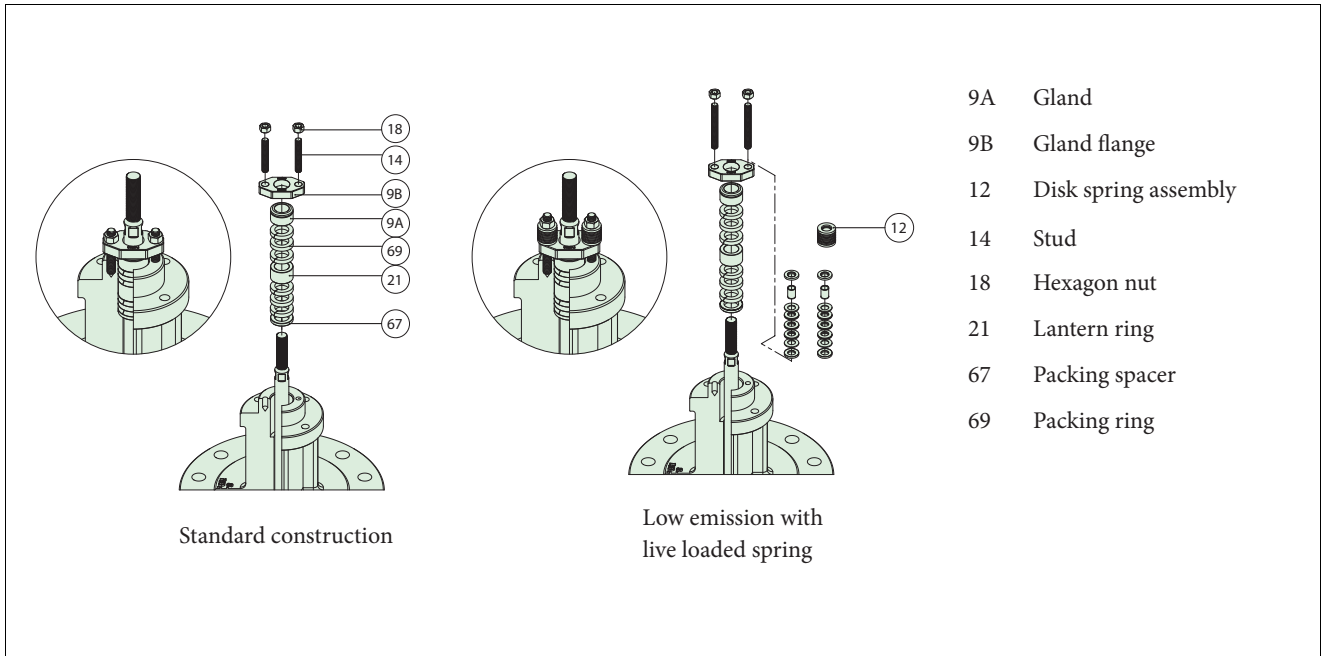
Cv ratio

AU & AB	50: 1
AM	100: 1

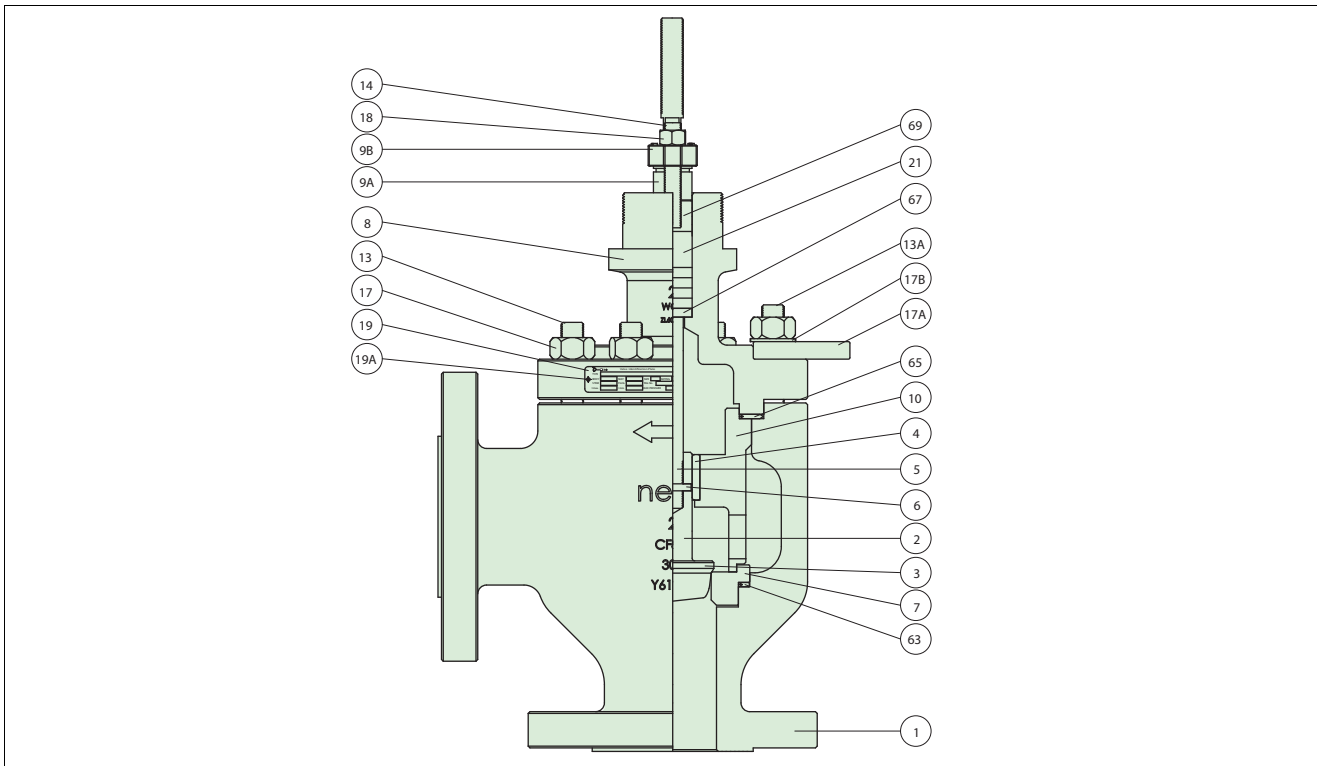
Flow characteristics

AU :	Equal percentage, linear
AB :	Equal percentage, linear
AM :	Equal percentage, linear and customized %

Packing constructions



AU-Components & materials



Body material: Carbon steel or alloy steel			Body material: Stainless steel	
Part no.	Description	Material	Material	Spare
1	BODY	A216 WCB / ALLOY STEEL AVAILABLE	A351 CF8M	
2	PLUG SET	410 SS / 630 SS	316 SS / 316 SS	Cat 3
3 *	PLUG	410 STAINLESS STEEL	316 STAINLESS STEEL	Cat 3
5 *	STEM	630 STAINLESS STEEL + HCr	316 STAINLESS STEEL + HCr	Cat 3
6 *	PLUG PIN	316 STAINLESS STEEL	316 STAINLESS STEEL	Cat 3
4	GUIDE BUSHING	440C STAINLESS STEEL	316 + COBALT BASED ALLOY	Cat 3
7	SEAT RING	410 STAINLESS STEEL	316 STAINLESS STEEL	Cat 3
8	BONNET	A216 WCB / ALLOY STAINLESS STEEL	A351 CF8M	
9A	GLAND	304 STAINLESS STEEL	304 STAINLESS STEEL	
9B	GLAND FLANGE	A351 CF8	A351 CF8	
10	RETAINER	630 STAINLESS STEEL	A351 CF8M	Cat 3
13	STUD	A193 Gr.B7M	A193 Gr. B8M	
13A	STUD	A193 Gr.B7M	A193 Gr. B8M	
14	STUD	A193 Gr.8M	A193 Gr. B8M	
17	HEXAGON NUT	A194 Gr.2HM	A194 Gr. 8M	
17A	LIFTING PLATE	JIS G3101-SS400	JIS G3101-SS400	
17B	SPRING WASHER	AISI 304	AISI 304	
18	HEXAGON NUT	A194 Gr. 8M	A194 Gr. 8M	
19	IDENTIFICATION PLATE	304 STAINLESS STEEL	304 STAINLESS STEEL	
19A	RIVET	304 STAINLESS STEEL	304 STAINLESS STEEL	
21	LANTERN RING	304 STAINLESS STEEL	304 STAINLESS STEEL	
63	SEAT GASKET	S/W GASKET, 316 SS + GRAPHITE	S/W GASKET, 316 SS + GRAPHITE	Cat 1
65	BODY GASKET	S/W GASKET, 316 SS + GRAPHITE	S/W GASKET, 316 SS + GRAPHITE	Cat 1
67	PACKING SPACER	304 STAINLESS STEEL	304 STAINLESS STEEL	
69	PACKING RING	PTFE + CARBON FIBER, GRAPHITE	PTFE + CARBON FIBER, GRAPHITE	Cat 1

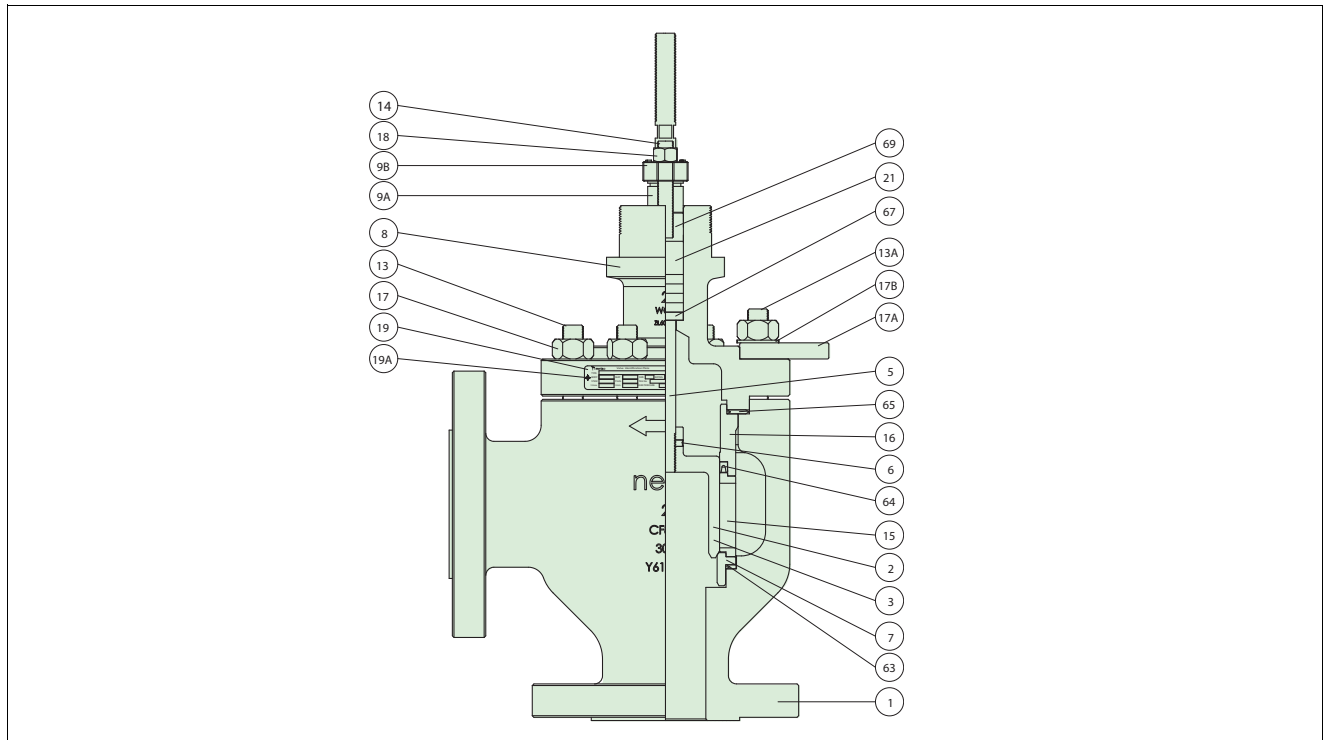
Note.

1. Plug/Seat hard facing (Cobalt based alloy) & Soft seat are available
2. Materials description
316 SS : ASTM A276 TP316 or JIS 316 St. Steel
410 SS : ASTM A276 TP410 or JIS 410 St. Steel
440C SS : ASTM A276 TP440C or JIS 440C St. Steel
17-4PH : ASTM A564 630 (H1100) or JIS 630 (H1100) St. Steel
3. Above standard materials to be applicable depending on specic service conditions, other optional materials to consult Valmet.
4. Optional materials to meet to requirements of NACE MR 01-75 are available
5. The materials are subject to change as equivalent depending on detail design
6. The part no. 3*, 5*, 6* are delivered as a set with no. 2

Note.

1. Plug/Seat hard facing (Cobalt based alloy) & Soft seat are available
2. Materials description
316 SS : ASTM A276 TP316 or JIS 316 St. Steel
3. Above standard materials to be applicable depending on specic service conditions, other optional materials to consult Valmet.
4. Cryogenic application : ASTM A320 B8M & 8M for studs (13) and nuts (17)
5. Optional materials to meet to requirements of NACE MR 01-75 are available
6. The materials are subject to change as equivalent depending on detail design
7. The part no. 3*, 5*, 6* are delivered as a set with no. 2

AB-Components & materials



Body material: Carbon steel or alloy steel			Body material: Stainless steel	
Part no.	Description	Material	Material	Spare
1	BODY	A216 WCB / ALLOY STEEL AVAILABLE	A351 CF8M	
2	PLUG SET	410 SS / 630 SS	316 SS / 316 SS	Cat 3
3 *	PLUG	410 STAINLESS STEEL	316 STAINLESS STEEL	Cat 3
5 *	STEM	630 STAINLESS STEEL + HCr	316 STAINLESS STEEL + HCr	Cat 3
6 *	PLUG PIN	316 STAINLESS STEEL	316 STAINLESS STEEL	Cat 3
7	SEAT RING	410 STAINLESS STEEL	316 STAINLESS STEEL	Cat 3
8	BONNET	A216 WCB / ALLOY STAINLESS STEEL	A351 CF8M	
9A	GLAND	304 STAINLESS STEEL	304 STAINLESS STEEL	
9B	GLAND FLANGE	A351 CF8	A351 CF8	
13	STUD	A193 Gr.B7M	A193 Gr. B8M	
13A	STUD	A193 Gr.B7M	A193 Gr. B8M	
14	STUD	A193 Gr.B8M	A193 Gr. B8M	
15	CAGE	630 STAINLESS STEEL + HCr	316 SS + HCr / CF8M + HCr	Cat 3
16	CAGE GUIDE	630 STAINLESS STEEL + HCr	316 SS + HCr / CF8M + HCr	Cat 3
17	HEXAGON NUT	A194 Gr.2HM	A194 Gr. 8M	
17A	LIFTING PLATE	JIS G3101-SS400	JIS G3101-SS400	
17B	SPRING WASHER	AISI 304	AISI 304	
18	HEXAGON NUT	A194 Gr. 8M	A194 Gr. 8M	
19	IDENTIFICATION PLATE	304 STAINLESS STEEL	304 STAINLESS STEEL	
19A	RIVET	304 STAINLESS STEEL	304 STAINLESS STEEL	
21	LANTERN RING	304 STAINLESS STEEL	304 STAINLESS STEEL	
63	SEAT GASKET	S/W GASKET, 316 SS + GRAPHITE	S/W GASKET, 316 SS + GRAPHITE	Cat 1
64	SEAL RING	PTFE + GRAPHITE	PTFE + GRAPHITE	Cat 1
65	BODY GASKET	S/W GASKET, 316 SS + GRAPHITE	S/W GASKET, 316 SS + GRAPHITE	Cat 1
67	PACKING SPACER	304 STAINLESS STEEL	304 STAINLESS STEEL	
69	PACKING RING	PTFE + CARBON FIBER, GRAPHITE	PTFE + CARBON FIBER, GRAPHITE	Cat 1

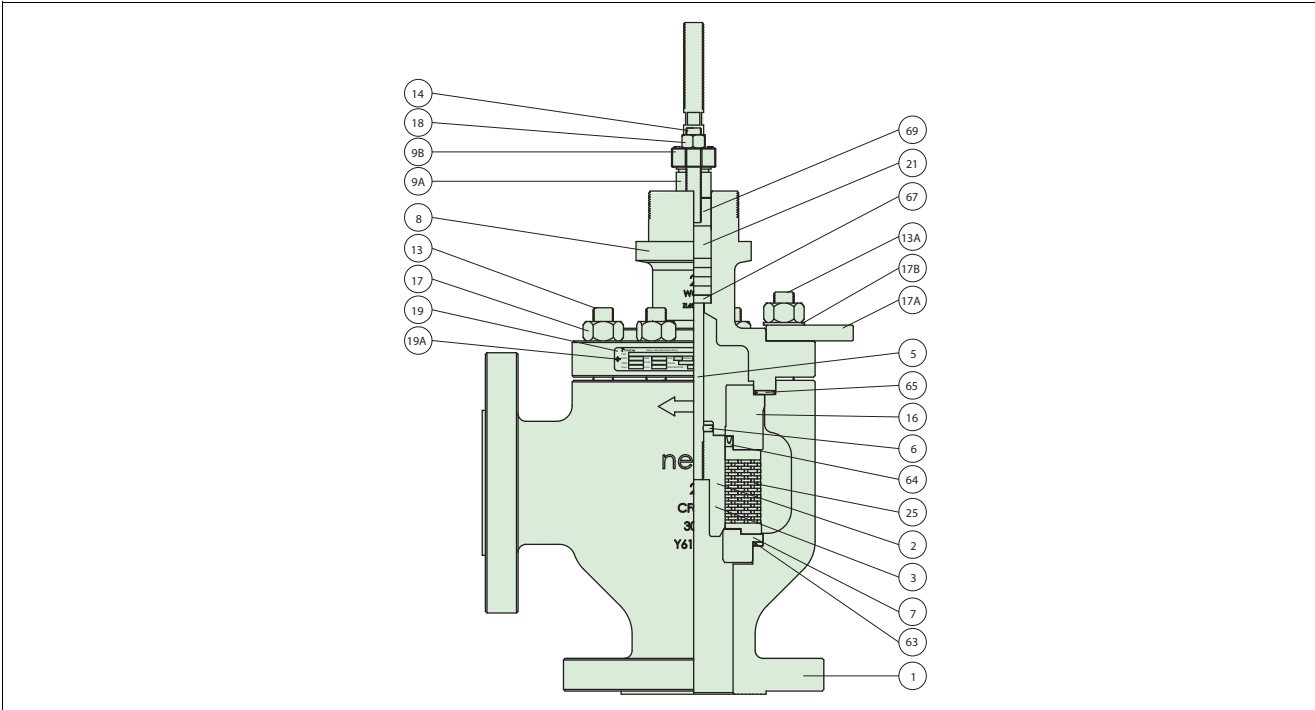
Note.

- Plug/Seat hard facing (Cobalt based alloy) & Soft seat are available
- Materials description
316 SS : ASTM A276 TP316 or JIS 316 St. Steel
410 SS : ASTM A276 TP410 or JIS 410 St. Steel
440C SS : ASTM A276 TP440C or JIS 440C St. Steel
17-4PH : ASTM A564 630 (H1100) or JIS 630 (H1100) St. Steel
- Above standard materials to be applicable depending on specific service conditions, other optional materials to consult Valmet
- Optional materials to meet to requirements of NACE MR 01-75 are available
- The materials are subject to change as equivalent depending on detail design
- The part no. 3*, 5*, 6* are delivered as a set with no. 2

Note.

- Plug/Seat hard facing (Cobalt based alloy) & Soft seat are available
- Materials description
316 SS : ASTM A276 TP316 or JIS 316 St. Steel
- Above standard materials to be applicable depending on specific service conditions, other optional materials to consult Valmet.
- Cryogenic application : ASTM A320 B8M & 8M for studs (13) and nuts (17)
- Optional materials to meet to requirements of NACE MR 01-75 are available
- The materials are subject to change as equivalent depending on detail design
- The part no. 3*, 5*, 6* are delivered as a set with no. 2

AM-Components & materials



Body material: Stainless steel			Body material: Stainless steel	
Part no.	Description	Material	Material	Spare
1	BODY	A216 WCB / ALLOY STEEL AVAILABLE	A351 CF8M	
2	PLUG SET	420(J2) SS / 630 SS	316 SS / 316 SS	Cat 3
3 *	PLUG	420(J2) STAINLESS STEEL	316 STAINLESS STEEL	Cat 3
5 *	STEM	630 STAINLESS STEEL + HCr	316 STAINLESS STEEL + HCr	Cat 3
6 *	PLUG PIN	316 STAINLESS STEEL	316 STAINLESS STEEL	Cat 3
7	SEAT RING	410 STAINLESS STEEL	316 STAINLESS STEEL	Cat 3
8	BONNET	A216 WCB / ALLOY STEEL AVAILABLE	A351 CF8M	
9A	GLAND	304 STAINLESS STEEL	304 STAINLESS STEEL	
9B	GLAND FLANGE	A351 CF8	A351 CF8	
13	STUD	A193 Gr.B7M	A193 Gr. B8M	
13A	STUD	A193 Gr.B7M	A193 Gr. B8M	
14	STUD	A193 Gr.8M	A193 Gr.B8	
16	CAGE GUIDE	420(J2) STAINLESS STEEL	316 SS + HCr / CF8M + HCr	Cat 3
17	HEXAGON NUT	A194 Gr.2HM	A194 Gr. 8M	
17A	LIFTING PLATE	JIS G3101-SS400	JIS G3101-SS400	
17B	SPRING WASHER	AISI 304	AISI 304	
18	HEXAGON NUT	A194 Gr. 8M	A194 Gr. 8M	
19	IDENTIFICATION PLATE	304 STAINLESS STEEL	304 STAINLESS STEEL	
19A	RIVET	304 STAINLESS STEEL	304 STAINLESS STEEL	
21	LANTERN RING	304 STAINLESS STEEL	304 STAINLESS STEEL	
25	DISK STACK	420(J2) STAINLESS STEEL	316L STAINLESS STEEL	Cat 3
63	SEAT GASKET	S/W GASKET, 316 SS + GRAPHITE	S/W GASKET, 316 SS + GRAPHITE	Cat 1
64	SEAL RING	PTFE + GRAPHITE	PTFE + GRAPHITE	Cat 1
65	BODY GASKET	S/W GASKET, 316 SS + GRAPHITE	S/W GASKET, 316 SS + GRAPHITE	Cat 1
67	PACKING SPACER	304 STAINLESS STEEL	304 STAINLESS STEEL	
69	PACKING RING	PTFE + CARBON FIBER, GRAPHITE	PTFE + CARBON FIBER, GRAPHITE	Cat 1

Note.

1. Plug/Seat hard facing (Cobalt based alloy) & Soft seat are available
2. Materials description
 316 SS : ASTM A276 TP316 or JIS 316 St. Steel
 410 SS : ASTM A276 TP410 or JIS 410 St. Steel
 420 SS : ASTM A276 TP420 or JIS 420 St. Steel
 440C SS : ASTM A276 TP440C or JIS 440C St. Steel
 17-4PH : ASTM A564 630 (H1100) or JIS 630 H1100) St. Steel
3. Above standard materials to be applicable depending on specic service conditions, other optional materials to consult Valmet.
4. Optional materials to meet to requirements of NACE MR 01-75 are available
5. The materials are subject to change as equivalent depending on detail design
6. The part no. 3*, 5*, 6* are delivered as a set with no. 2

Note.

1. Plug/Seat hard facing (Cobalt based alloy) & Soft seat are available
2. Materials description
 316 SS : ASTM A276 TP316 or JIS 316 St. Steel
 420 SS : ASTM A276 TP420 or JIS 420 St. Steel
3. Above standard materials to be applicable depending on specic service conditions, other optional materials to consult Valmet.
4. Cryogenic application : ASTM A320 B8M & 8M for studs (13) and nuts (17)
5. Optional materials to meet to requirements of NACE MR 01-75 are available
6. The materials are subject to change as equivalent depending on detail design
7. The part no. 3*, 5*, 6* are delivered as a set with no. 2

Rated Cv and trim table (Top-guided angle valve, series AU)

Sign	Trim type	Sign	Trim characteristic	Sign	Rated Cv																		
					Description	Body size and stroke																	
						0.5"	Str.	0.75"	Str.	1"	Str.	1.5"	Str.	2"	Str.	3"	Str.	4"	Str.	6"	Str.		
A	General plug	E	Equal %	FC	General / Full capacity	7	(20)	9	(20)	13.5	(20)	28	(20)	49	(20)	100	(40)	190	(40)	295	(60)		
				1A	General / 1-Step reduction	4	(20)	5.5	(20)	8.5	(20)	16	(20)	28	(20)	70	(40)	120	(40)	165	(60)		
			L	Linear	2A	General / 2-Step reduction	2.3	(20)	3	(20)	5.4	(20)	10.5	(20)	17	(20)	42	(40)	72	(40)	85	(60)	
					3A	General / 3-Step reduction	1.5	(20)	2	(20)	3.1	(20)	6	(20)	10	(20)	25	(40)	42	(40)	50	(60)	
					4A	General / 4-Step reduction	0.8	(20)	1.2	(20)	2	(20)	4	(20)									
					5A	General / 5-Step reduction	0.5	(20)	0.7	(20)	1.2	(20)	2.2	(20)									
					6A	General / 6-Step reduction	0.3	(20)	0.4	(20)	0.8	(20)	1.2	(20)									
					FT	Tendril / Full capacity	7	(20)	9	(20)	13.5	(20)	28	(20)	49	(20)	100	(40)	190	(40)	IQI	(60)	
			T	Tendril	Tendril	1T	Tendril / 1-Step reduction	4	(20)	5.5	(20)	8.5	(20)	16	(20)	28	(20)	70	(40)	120	(40)	IQI	(60)
						2T	Tendril / 2-Step reduction	2.3	(20)	3	(20)	5.4	(20)	10.5	(20)	17	(20)	42	(40)	72	(40)	IQI	(60)
						3T	Tendril / 3-Step reduction	1.5	(20)	2	(20)	3.1	(20)	6	(20)	10	(20)	25	(40)	42	(40)	IQI	(60)
						4T	Tendril / 4-Step reduction	0.8	(20)	1.2	(20)	2	(20)	4	(20)								
						5T	Tendril / 5-Step reduction	0.5	(20)	0.7	(20)	1.2	(20)	2.2	(20)								
						6T	Tendril / 6-Step reduction	0.3	(20)	0.4	(20)	0.8	(20)	1.2	(20)								
C	Micro plug	L				Linear	FC	General / Full capacity	0.1	(20)	0.1	(20)	0.1	(20)									
							1A	General / 1-Step reduction	0.06	(20)	0.06	(20)	0.06	(20)									
			2A	General / 2-Step reduction	0.03		(20)	0.03	(20)	0.03	(20)												
			3A	General / 3-Step reduction	0.01		(20)	0.01	(20)	0.01	(20)												
			4A	General / 4-Step reduction	0.006		(20)	0.006	(20)	0.006	(20)												
			5A	General / 5-Step reduction	0.003		(20)	0.003	(20)	0.003	(20)												
Y	Special	Y	Special	YY	Special	Contact Valmet for Cv details																	

- Rated Cv is different depending on trim type and characteristic.
- Str. : valve stroke length (mm). It should be matched with actuator stroke length.

Rated Cv and trim table (Cage-guided angle valve, series AB)

Sign	Trim type	Sign	Trim characteristic	Sign	Description	Rated Cv																	
						Body size and stroke																	
						2"	Str.	3"	Str.	4"	Str.	6"	Str.	8"	Str.	10"	Str.	12"	Str.	14"	Str.	16"	Str.
A	General plug	E	Equal %	FC	General / Full capacity	82	(40)	174	(50)	280	(50)	470	(60)	810	(70)	1250	(80)	1810	(120)	2530	(140)	2960	(160)
A	High temp. balanced plug			1A	General / 1-Step reduction	74	(40)	104	(50)	170	(50)	284	(60)	500	(70)	760	(80)	1100	(120)	1540	(140)	1780	(160)
P	Pilot balanced plug			2A	General / 2-Step reduction	44	(40)	62	(50)	100	(50)	170	(60)	320	(70)	460	(80)	680	(120)	940	(140)	1080	(160)
				3A	General / 3-Step reduction	26	(40)	40	(50)	64	(50)	100	(60)	200	(70)	280	(80)	420	(120)	580	(140)	660	(160)
				FT	Tendril 1 / Full capacity	52	(40)	102	(50)	160	(50)	290	(60)	460	(70)	630	(80)	980	(120)	1300	(140)	1580	(160)
				1T	Tendril 1 / 1-Step reduction	40	(40)	75	(50)	120	(50)	220	(60)	340	(70)	460	(80)	735	(120)	985	(140)	1145	(160)
				2T	Tendril 1 / 2-Step reduction	27	(40)	40	(50)	70	(50)	130	(60)	195	(70)	255	(80)	405	(120)	565	(140)	670	(160)
				3T	Tendril 1 / 3-Step reduction	10	(40)	21	(50)	46	(50)	75	(60)	105	(70)	140	(80)	240	(120)	310	(140)	415	(160)
				FM	Tendril 2 / Full capacity	50	(40)	100	(50)	155	(50)	280	(60)	425	(70)	590	(80)	920	(120)	1240	(140)	1530	(160)
				1M	Tendril 2 / 1-Step reduction	35	(40)	74	(50)	115	(50)	215	(60)	330	(70)	450	(80)	720	(120)	970	(140)	1130	(160)
				2M	Tendril 2 / 2-Step reduction	23	(40)	33	(50)	65	(50)	120	(60)	190	(70)	240	(80)	380	(120)	550	(140)	640	(160)
				3M	Tendril 2 / 3-Step reduction	8	(40)	18	(50)	38	(50)	67	(60)	100	(70)	130	(80)	220	(120)	290	(140)	390	(160)
		L	Linear	FC	General / Full capacity	76	(40)	160	(50)	256	(50)	430	(60)	740	(70)	1140	(80)	1650	(120)	2300	(140)	2700	(160)
				1A	General / 1-Step reduction	46	(40)	98	(50)	156	(50)	260	(60)	450	(70)	680	(80)	1000	(120)	1400	(140)	1640	(160)
				2A	General / 2-Step reduction	28	(40)	60	(50)	94	(50)	156	(60)	270	(70)	410	(80)	640	(120)	840	(140)	980	(160)
				3A	General / 3-Step reduction	18	(40)	35	(50)	60	(50)	96	(60)	164	(70)	250	(80)	384	(120)	520	(140)	600	(160)
				FT	Tendril 1 / Full capacity	50	(40)	82	(50)	135	(50)	235	(60)	370	(70)	500	(80)	840	(120)	1110	(140)	1400	(160)
				1T	Tendril 1 / 1-Step reduction	35	(40)	58	(50)	95	(50)	170	(60)	265	(70)	370	(80)	600	(120)	785	(140)	1020	(160)
				2T	Tendril 1 / 2-Step reduction	20	(40)	35	(50)	58	(50)	100	(60)	170	(70)	225	(80)	355	(120)	480	(140)	600	(160)
				3T	Tendril 1 / 3-Step reduction	10	(40)	20	(50)	32	(50)	58	(60)	105	(70)	125	(80)	205	(120)	290	(140)	350	(160)
				FM	Tendril 2 / Full capacity	47	(40)	74	(50)	130	(50)	230	(60)	330	(70)	470	(80)	770	(120)	1050	(140)	1320	(160)
				1M	Tendril 2 / 1-Step reduction	33	(40)	56	(50)	92	(50)	165	(60)	245	(70)	330	(80)	570	(120)	720	(140)	960	(160)
				2M	Tendril 2 / 2-Step reduction	19	(40)	33	(50)	52	(50)	95	(60)	145	(70)	190	(80)	330	(120)	430	(140)	550	(160)
				3M	Tendril 2 / 3-Step reduction	8	(40)	16	(50)	25	(50)	52	(60)	80	(70)	110	(80)	190	(120)	270	(140)	295	(160)
Y	Special	Y	Special	YY	Special	Contact Valmet for Cv details																	

Rated Cv and trim table (Omega angle valve, series AM)

Sign	Trim type	Sign	Trim characteristic	Sign	Description	Rated Cv																					
						Body size and stroke																					
						1"	Str.	1.5"	Str.	2"	Str.	3"	Str.	4"	Str.	6"	Str.	8"	Str.	10"	Str.	12"	Str.	14"	Str.	16"	Str.
A	Balanced plug	E	Equal %	FG	Full capa. / Gas	8	(20)	18	(20)	30	(40)	62	(50)	96	(50)	168	(60)	290	(70)	440	(80)	640	(120)	880	(140)	1160	(160)
A	High temp. balanced plug			FL	Full capa. / Liquid																						
P	Pilot balanced plug			1G	1-Step red. / Gas	5	(20)	12	(20)	20	(40)	40	(50)	60	(50)	100	(60)	180	(70)	270	(80)	400	(120)	530	(140)	700	(160)
U	Unbalanced plug			1L	1-Step red. / Liquid																						
				2G	2-Step red. / Gas	3	(20)	26	(20)	40	(40)	64	(50)	110	(50)	160	(60)	240	(70)	320	(80)	420	(120)	320	(140)	420	(160)
				2L	2-Step red. / Liquid																						
				3G	3-Step red. / Gas	2	(20)	5	(20)	8	(40)	16	(50)	24	(50)	42	(60)	70	(70)	100	(80)	150	(120)	200	(140)	260	(160)
				3L	3-Step red. / Liquid																						
		L	Linear	FG	Full capa. / Gas	5	(20)	10	(20)	18	(40)	38	(50)	60	(50)	104	(60)	176	(70)	268	(80)	390	(120)	540	(140)	710	(160)
				FL	Full capa. / Liquid																						
				1G	1-Step red. / Gas	2.5	(20)	6	(20)	11	(40)	24	(50)	36	(50)	64	(60)	108	(70)	164	(80)	236	(120)	328	(140)	430	(160)
				1L	1-Step red. / Liquid																						
				2G	2-Step red. / Gas	1.2	(20)	3	(20)	5	(40)	12	(50)	18	(50)	32	(60)	54	(70)	82	(80)	118	(120)	164	(140)	214	(160)
				2L	2-Step red. / Liquid																						
				3G	3-Step red. / Gas	0.6	(20)	1.5	(20)	2	(40)	6	(50)	9	(50)	16	(60)	27	(70)	40	(80)	60	(120)	82	(140)	106	(160)
				3L	3-Step red. / Liquid																						
Y	Special	Y	Special	YY	Special	Contact Valmet for Cv details																					

- Rated Cv is different depending on trim type and characteristic.

AU Series Cv vs Travel (General contoured)

Size: 1/2" ... 6"

Flow characteristic : linear

Valve travel [%]		10	20	30	40	50	60	70	80	90	100					
F _L		0.94	0.93	0.91	0.90	0.89	0.89	0.88	0.88	0.87	0.77					
Valve size		Orifice diameter		Travel		Rated Cv										
Inch	mm	Sign	Inch	mm	Inch	mm										
1/2"	15	FC	0.6	15.7	0.8	20	0.53	1.27	1.95	2.66	3.38	4.09	4.76	5.51	6.67	7
		1A	0.4	11.0			0.36	0.74	1.23	1.61	1.99	2.37	2.72	3.05	3.41	4
		2A	0.3	8.0			0.28	0.53	0.79	1.07	1.32	1.52	1.71	1.88	2.03	2.3
		3A	0.3	6.4			0.19	0.36	0.52	0.67	0.82	0.97	1.15	1.28	1.38	1.5
		4A	0.3	6.4			0.09	0.17	0.25	0.32	0.40	0.47	0.54	0.61	0.68	0.8
		5A	0.3	6.4			0.06	0.11	0.15	0.20	0.25	0.30	0.35	0.40	0.45	0.5
3/4"	20	FC	0.7	17.2	0.8	20	0.85	1.68	2.57	3.31	4.04	4.74	5.43	6.18	7.61	9
		1A	0.5	13.0			0.35	0.82	1.40	2.17	2.78	3.39	3.98	4.53	5.03	5.5
		2A	0.4	9.0			0.29	0.74	1.08	1.40	1.73	2.13	2.37	2.60	2.80	3
		3A	0.3	7.2			0.24	0.44	0.63	0.81	0.99	1.16	1.32	1.47	1.62	2
		4A	0.3	6.4			0.13	0.24	0.36	0.48	0.60	0.72	0.84	0.96	1.08	1.2
		5A	0.3	6.4			0.08	0.15	0.22	0.28	0.35	0.42	0.49	0.56	0.63	0.7
1"	25	FC	0.9	22.3	0.8	20	1.29	2.62	4.02	5.42	6.83	8.13	8.90	10.25	11.93	13.5
		1A	0.6	15.0			0.77	1.54	2.31	3.15	3.92	4.68	5.42	6.12	7.00	8.5
		2A	0.5	11.5			0.46	0.94	1.43	1.94	2.46	3.02	3.52	4.00	4.44	5.4
		3A	0.4	9.0			0.28	0.56	0.86	1.16	1.47	1.77	2.07	2.36	2.66	3.1
		4A	0.3	7.2			0.18	0.37	0.57	0.78	0.99	1.20	1.41	1.61	1.79	2
		5A	0.3	6.4			0.11	0.23	0.35	0.47	0.59	0.71	0.83	0.95	1.07	1.2
1-1/2"	40	FC	1.2	30.0	0.8	20	2.64	5.38	8.46	11.77	15.22	18.77	21.56	24.09	26.50	28
		1A	0.8	21.5			1.63	3.16	4.70	6.25	7.90	9.52	11.12	12.68	14.18	16
		2A	0.6	16.0			0.95	1.89	2.86	3.86	4.88	5.88	6.90	7.92	8.86	10.5
		3A	0.5	12.5			0.57	1.13	1.72	2.33	2.96	3.58	4.19	4.78	5.33	6
		4A	0.4	10.0			0.37	0.74	1.14	1.54	1.96	2.38	2.79	3.18	3.55	4
		5A	0.3	7.0			0.19	0.38	0.57	0.78	0.99	1.19	1.40	1.60	1.78	2.2
2"	50	FC	1.7	43.9	0.8	20	4.13	9.24	14.48	19.71	25.09	30.56	35.97	40.01	44.64	49
		1A	1.3	33.4			2.27	4.97	7.88	10.94	13.72	16.51	19.28	22.03	24.97	28
		2A	0.8	21.5			1.26	2.76	4.37	6.05	7.77	9.53	11.23	12.73	14.32	17
		3A	0.6	16.0			0.82	1.78	2.80	3.86	4.93	5.98	7.01	7.98	8.89	10
3"	80	FC	2.8	72.0	1.5	40	9.96	21.06	32.40	42.65	52.98	63.70	76.67	86.07	91.15	100
		1A	1.9	47.0			5.35	11.64	18.74	26.58	33.66	40.46	47.18	53.74	60.34	70
		2A	1.3	34.0			3.47	7.21	11.20	15.38	19.69	24.06	28.45	31.99	35.66	42
		3A	1.0	25.0			2.17	4.47	6.86	9.32	11.81	14.29	16.73	19.08	21.29	25
4"	100	FC	3.6	91.5	1.5	40	12.67	27.12	47.27	66.04	85.99	106.88	127.85	147.47	167.93	190
		1A	2.4	60.0			7.32	15.77	25.33	36.43	51.05	63.30	75.78	88.32	103.94	120
		2A	1.7	43.0			7.02	13.84	20.64	27.41	34.07	43.44	50.85	57.09	63.09	72
		3A	1.3	32.0			4.03	8.16	12.45	16.82	21.18	25.44	29.51	33.31	37.67	42
6"	150	FC	4.5	115.0	2.4	60	28.43	57.15	86.05	112.26	136.07	159.16	181.59	212.57	263.12	295
		1A	3.0	75.0			16.09	32.01	47.67	63.09	78.18	93.11	105.76	117.42	137.91	165.
		2A	1.8	46.5			8.78	17.43	25.90	34.15	42.13	49.78	57.07	63.94	71.49	85
		3A	1.4	35.5			4.32	9.07	14.14	19.45	24.88	30.32	35.64	40.72	45.42	50

AU Series Cv vs Travel (General contoured)

Size : 1/2" ... 6"

Flow characteristic : EQ%

Valve travel [%]							10	20	30	40	50	60	70	80	90	100	
F _L							0.94	0.94	0.93	0.93	0.92	0.90	0.89	0.88	0.87	0.77	
Valve size		Orifice diameter			Travel		Rated Cv										
Inch	mm	Sign	Inch	mm	Inch	mm											
1/2"	15	FC	0.6	15.7	0.8	20	0.16	0.36	0.56	0.89	1.38	2.16	3.42	4.84	6.44	7	
		1A	0.4	11.0			0.06	0.16	0.31	0.49	0.78	1.46	2.17	2.88	3.53	4	
		2A	0.3	8.0			0.08	0.16	0.23	0.34	0.59	0.94	1.37	1.70	2.01	2.3	
		3A	0.3	6.4			0.05	0.09	0.14	0.20	0.35	0.56	0.82	1.11	1.33	1.5	
		4A	0.3	6.4			0.02	0.04	0.06	0.08	0.16	0.28	0.41	0.54	0.66	0.8	
		5A	0.3	6.4			0.01	0.02	0.04	0.05	0.10	0.17	0.25	0.33	0.41	0.5	
6A	0.3	6.4	0.01	0.01	0.02	0.03	0.06	0.11	0.15	0.20	0.25	0.3					
3/4"	20	FC	0.7	17.2	0.8	20	0.24	0.45	0.67	1.07	1.85	2.93	4.02	5.23	7.13	9	
		1A	0.5	13.0			0.06	0.20	0.40	0.67	1.11	1.79	2.79	3.71	4.74	5.5	
		2A	0.4	9.0			0.05	0.17	0.28	0.45	0.78	1.20	1.80	2.35	2.72	3	
		3A	0.3	7.2			0.04	0.09	0.15	0.21	0.41	0.68	1.00	1.30	1.67	2	
		4A	0.3	6.4			0.03	0.06	0.09	0.13	0.25	0.42	0.62	0.82	1.01	1.2	
		5A	0.3	6.4			0.01	0.03	0.05	0.08	0.14	0.23	0.34	0.45	0.58	0.7	
6A	0.3	6.4	0.01	0.02	0.03	0.04	0.08	0.14	0.21	0.27	0.33	0.4					
1"	25	FC	0.9	22.3	0.8	20	0.27	0.57	0.91	1.55	2.75	4.66	7.08	9.49	11.63	13.5	
		1A	0.6	15.0			0.12	0.29	0.51	0.83	1.56	2.70	4.14	5.61	7.03	8.5	
		2A	0.5	11.5			0.07	0.19	0.33	0.53	0.97	1.67	2.65	3.59	4.37	5.4	
		3A	0.4	9.0			0.03	0.09	0.19	0.32	0.58	1.00	1.52	2.05	2.54	3.1	
		4A	0.3	7.2			0.03	0.08	0.13	0.22	0.40	0.67	1.00	1.35	1.70	2	
		5A	0.3	6.4			0.03	0.05	0.08	0.13	0.25	0.43	0.64	0.85	1.06	1.2	
6A	0.3	6.4	0.01	0.03	0.04	0.07	0.14	0.24	0.35	0.46	0.59	0.8					
1-1/2"	40	FC	1.2	30.0	0.8	20	0.45	1.12	2.00	3.07	5.91	10.57	16.18	21.57	25.66	28	
		1A	0.8	21.5			0.23	0.58	1.06	1.69	3.16	5.36	7.97	10.69	13.44	16	
		2A	0.6	16.0			0.20	0.44	0.71	1.02	1.88	3.25	4.93	6.71	8.59	10.5	
		3A	0.5	12.5			0.09	0.22	0.40	0.62	1.13	2.02	3.17	4.26	5.21	6	
		4A	0.4	10.0			0.05	0.14	0.26	0.41	0.79	1.36	2.08	2.83	3.45	4	
		5A	0.3	7.0			0.03	0.08	0.13	0.21	0.39	0.69	1.07	1.43	1.74	2.2	
6A	0.3	6.4	0.03	0.06	0.09	0.13	0.23	0.40	0.59	0.78	0.98	1.2					
2"	50	FC	1.7	43.9	0.8	20	1.21	2.46	3.31	5.12	9.42	16.83	26.55	36.59	44.52	49	
		1A	1.3	33.4			0.32	0.82	1.51	2.87	5.48	9.31	13.77	18.31	23.17	28	
		2A	0.8	21.5			0.17	0.47	0.88	1.63	3.18	5.47	8.21	11.09	13.68	17	
		3A	0.6	16.0			0.15	0.37	0.66	1.02	1.89	3.29	5.01	6.71	8.41	10	
3"	80	FC	2.8	72.0	1.5	40	2.01	4.47	7.37	12.28	22.52	38.62	62.02	79.57	90.09	100	
		1A	1.9	47.0			1.00	2.51	4.50	6.96	12.95	23.65	36.15	47.82	58.70	70	
		2A	1.3	34.0			0.73	1.61	2.64	3.95	7.53	13.57	21.26	28.97	34.99	42	
		3A	1.0	25.0			0.36	0.89	1.59	2.46	4.51	8.08	12.55	16.82	20.78	25	
4"	100	FC	3.6	91.5	1.5	40	2.90	6.72	11.48	17.16	29.35	56.26	86.65	120.90	153.84	190	
		1A	2.4	60.0			1.56	3.77	6.63	10.11	18.42	32.83	55.27	77.53	98.63	120	
		2A	1.7	43.0			1.45	3.05	4.82	8.10	14.86	24.20	35.22	49.81	61.14	72	
		3A	1.3	32.0			0.88	1.82	2.84	4.44	8.42	14.38	21.12	27.79	34.17	42	
6"	150	FC	4.5	115.0	2.4	60	4.23	9.72	16.43	25.73	49.58	89.69	140.01	195.77	256.78	295	
		1A	3.0	75.0			2.83	6.73	11.68	17.72	31.53	53.90	88.38	113.11	140.55	165	
		2A	1.8	46.5			1.36	3.61	6.68	10.62	17.82	28.66	42.88	57.38	71.53	85	
		3A	1.4	35.5			0.91	1.90	2.95	4.26	7.77	13.68	21.42	29.72	37.96	50	

NOTE
 Cv : Valve flow coefficient
 FL: Liquid pressure recovery factor
 FC: Full capacity
 2A: 2-Step reduction
 4A: 4-Step reduction
 1A: 1-Step reduction
 3A: 3-Step reduction
 5A: 5-Step reduction

AU Series Cv vs Travel (Tendril 1)

Size : 1/2" ... 4"

Flow characteristic : linear

Valve travel [%]							10	20	30	40	50	60	70	80	90	100
FL							0.95	0.95	0.95	0.94	0.94	0.94	0.93	0.93	0.91	0.91
Valve size		Orifice diameter			Travel		Rated Cv									
Inch	mm	Sign	Inch	mm	Inch	mm										
1/2"	15	FT	0.6	15.7	0.8	20	0.53	1.27	1.95	2.66	3.38	4.09	4.76	5.51	6.67	7
		1T	0.4	11.0			0.36	0.74	1.23	1.61	1.99	2.37	2.72	3.05	3.41	4
		2T	0.3	8.0			0.28	0.53	0.79	1.07	1.32	1.52	1.71	1.88	2.03	2.3
		3T	0.3	6.4			0.19	0.36	0.52	0.67	0.82	0.97	1.15	1.28	1.38	1.5
		4T	0.3	6.4			0.09	0.17	0.25	0.32	0.40	0.47	0.54	0.61	0.68	0.8
		5T	0.3	6.4			0.06	0.11	0.15	0.20	0.25	0.30	0.35	0.40	0.45	0.5
3/4"	20	FT	0.7	17.2	0.8	20	0.85	1.68	2.57	3.31	4.04	4.74	5.43	6.18	7.61	9
		1T	0.5	13.0			0.35	0.82	1.40	2.17	2.78	3.39	3.98	4.53	5.03	5.5
		2T	0.4	9.0			0.29	0.74	1.08	1.40	1.73	2.13	2.37	2.60	2.80	3
		3T	0.3	7.2			0.24	0.44	0.63	0.81	0.99	1.16	1.32	1.47	1.62	2
		4T	0.3	6.4			0.13	0.24	0.36	0.48	0.60	0.72	0.84	0.96	1.08	1.2
		5T	0.3	6.4			0.08	0.15	0.22	0.28	0.35	0.42	0.49	0.56	0.63	0.7
1"	25	FT	0.9	22.3	0.8	20	1.29	2.62	4.02	5.42	6.83	8.13	8.90	10.25	11.93	13.5
		1T	0.6	15.0			0.77	1.54	2.31	3.15	3.92	4.68	5.42	6.12	7.00	8.5
		2T	0.5	11.5			0.46	0.94	1.43	1.94	2.46	3.02	3.52	4.00	4.44	5.4
		3T	0.4	9.0			0.28	0.56	0.86	1.16	1.47	1.77	2.07	2.36	2.66	3.1
		4T	0.3	7.2			0.18	0.37	0.57	0.78	0.99	1.20	1.41	1.61	1.79	2
		5T	0.3	6.4			0.11	0.23	0.35	0.47	0.59	0.71	0.83	0.95	1.07	1.2
1-1/2"	40	FT	1.2	30.0	0.8	20	2.64	5.38	8.46	11.77	15.22	18.77	21.56	24.09	26.50	28
		1T	0.8	21.5			1.63	3.16	4.70	6.25	7.90	9.52	11.12	12.68	14.18	16
		2T	0.6	16.0			0.95	1.89	2.86	3.86	4.88	5.88	6.90	7.92	8.86	10.5
		3T	0.5	12.5			0.57	1.13	1.72	2.33	2.96	3.58	4.19	4.78	5.33	6
		4T	0.4	10.0			0.37	0.74	1.14	1.54	1.96	2.38	2.79	3.18	3.55	4
		5T	0.3	7.0			0.19	0.38	0.57	0.78	0.99	1.19	1.40	1.60	1.78	2.2
2"	50	FT	1.7	43.9	0.8	20	4.13	9.24	14.48	19.71	25.09	30.56	35.97	40.01	44.64	49
		1T	1.3	33.4			2.27	4.97	7.88	10.94	13.72	16.51	19.28	22.03	24.97	28
		2T	0.8	21.5			1.26	2.76	4.37	6.05	7.77	9.53	11.23	12.73	14.32	17
		3T	0.6	16.0			0.82	1.78	2.80	3.86	4.93	5.98	7.01	7.98	8.89	10
3"	80	FT	2.8	72.0	1.5	40	9.96	21.06	32.40	42.65	52.98	63.70	76.67	86.07	91.15	100
		1T	1.9	47.0			5.35	11.64	18.74	26.58	33.66	40.46	47.18	53.74	60.34	70
		2T	1.3	34.0			3.47	7.21	11.20	15.38	19.69	24.06	28.45	31.99	35.66	42
		3T	1.0	25.0			2.17	4.47	6.86	9.32	11.81	14.29	16.73	19.08	21.29	25
4"	100	FT	3.6	91.5	1.5	40	12.67	27.12	47.27	66.04	85.99	106.88	127.85	147.47	167.93	190
		1T	2.4	60.0			7.32	15.77	25.33	36.43	51.05	63.30	75.78	88.32	103.94	120
		2T	1.7	43.0			7.02	13.84	20.64	27.41	34.07	43.44	50.85	57.09	63.09	72
		3T	1.3	32.0			4.03	8.16	12.45	16.82	21.18	25.44	29.51	33.31	37.67	42

NOTE

Cv: Valve flow coefficient

FL: Liquid pressure recovery factor

FT: Full capacity

2T: 2-Step reduction

4T: 4-Step reduction

6T: 6-Step reduction

1T: 1-Step reduction

3T: 3-Step reduction

5T: 5-Step reduction

AB Series Cv vs Travel (General plug)

Size : 2" ... 16"

Flow characteristic: linear

Valve travel [%]							10	20	30	40	50	60	70	80	90	100
F _L							0.890	0.887	0.884	0.881	0.878	0.875	0.872	0.869	0.867	0.835
Valve size		Orifice diameter			Travel		Rated Cv									
Inch	mm	Sign	Inch	mm	Inch	mm										
2	50	FC	2.5	64.5	1.6	40	8.1	16.1	24.1	32.2	40.2	48.2	56.3	64.3	72.3	82
		1A					7.3	14.5	21.8	29.0	36.3	43.5	50.8	58.0	65.3	74
		2A					4.3	8.6	12.9	17.3	21.6	25.9	30.2	34.5	38.8	44
		3A					2.6	5.1	7.6	10.2	12.7	15.3	17.8	20.4	22.9	26
3	80	FC	3.5	89.0	2	50	17.1	34.1	51.2	68.2	85.3	102.3	119.4	136.5	153.5	174
		1A					10.2	20.4	30.6	40.8	51.0	61.2	71.4	81.6	91.7	104
		2A					6.1	12.2	18.2	24.3	30.4	36.5	42.5	48.6	54.7	62
		3A					3.9	7.8	11.8	15.7	19.6	23.5	27.4	31.4	35.3	40
4	100	FC	4.4	111.5	2	50	27.5	54.9	82.4	109.8	137.3	164.7	192.1	219.6	247.0	280
		1A					16.7	33.4	50.0	66.7	83.3	100.0	116.7	133.3	150.0	170
		2A					9.8	19.6	29.4	39.2	49.0	58.8	68.6	78.4	88.2	100
		3A					6.3	12.6	18.8	25.1	31.4	37.6	43.9	50.2	56.5	64
6	150	FC	5.3	133.6	2.4	60	46.2	92.2	138.3	184.3	230.4	276.5	322.5	368.6	414.6	470
		1A					27.9	55.7	83.6	111.4	139.2	167.0	194.9	222.7	250.5	284
		2A					16.7	33.4	50.0	66.7	83.3	100.0	116.7	133.3	150.0	170
		3A					9.8	19.6	29.4	39.2	49.0	58.8	68.6	78.4	88.2	100
8	200	FC	6.9	175.5	2.8	70	79.5	158.9	238.3	317.7	397.1	476.4	555.8	635.2	714.6	810
		1A					49.1	98.1	147.1	196.1	245.1	294.1	343.1	392.1	441.1	500
		2A					31.4	62.8	94.1	125.5	156.9	188.2	219.6	250.9	282.3	320
		3A					19.6	39.2	58.8	78.4	98.0	117.6	137.2	156.8	176.4	200
10	250	FC	8.4	214.2	3.1	80	122.8	245.3	367.8	490.3	612.8	735.3	857.8	980.3	1102.8	1250
		1A					74.6	149.1	223.6	298.1	372.6	447.0	521.5	596.0	670.5	760
		2A					45.2	90.3	135.3	180.4	225.5	270.6	315.7	360.7	405.8	460
		3A					27.5	54.9	82.4	109.8	137.3	164.7	192.1	219.6	247.0	280
12	300	FC	10.4	264.8	3.9	120	177.7	355.1	532.5	709.9	887.3	1064.6	1242.0	1419.4	1596.8	1810
		1A					108.0	215.8	323.6	431.4	539.2	647.0	754.8	862.6	970.4	1100
		2A					66.8	133.4	200.1	266.7	333.3	400.0	466.6	533.3	599.9	680
		3A					41.2	82.4	123.6	164.7	205.9	247.0	288.2	329.4	370.5	420
14	350	FC	12.4	315.5	4.7	140	248.4	496.4	744.3	992.3	1240.2	1488.1	1736.1	1984.0	2232.0	2530
		1A					150.9	302.1	453.1	604.0	754.9	905.8	1056.7	1207.7	1358.6	1540
		2A					92.1	184.4	276.5	368.7	460.8	552.9	645.0	737.1	829.3	940
		3A					56.9	113.8	170.6	227.5	284.3	341.2	398.0	454.8	511.7	580
16	400	FC	14.1	357.7	5.5	160	290.1	580.8	870.8	1160.9	1451.0	1741.1	2031.2	2321.2	2611.3	2960
		1A					174.5	349.2	523.7	698.1	872.6	1047.0	1221.4	1395.9	1570.3	1780
		2A					105.9	211.9	317.7	423.6	529.4	635.3	741.1	846.9	952.8	1080
		3A					64.7	129.5	194.2	258.9	323.5	388.2	452.9	517.6	582.3	660

NOTE
 Cv: Valve flow coefficient
 FL: Liquid pressure recovery factor
 FC: Full capacity
 2A: 2-Step reduction

1A: 1-Step reduction
 3A: 3-Step reduction

AB Series Cv vs Travel (General plug)

Size: 2" ... 16"

Flow characteristic: EQ%

Valve travel [%]		10	20	30	40	50	60	70	80	90	100					
F _L		0.890	0.890	0.889	0.888	0.887	0.883	0.878	0.872	0.868	0.840					
Valve size		Orifice diameter		Travel		Rated Cv										
Inch	mm	Sign	Inch	mm	Inch	mm										
2	50	FC	2.5	64.5	1.6	40	2.3	3.3	4.9	8.4	15.2	25.1	41.0	57.8	68.4	76
		1A					1.4	2.0	3.0	5.1	9.2	15.2	24.8	35.0	41.4	46
		2A					0.8	1.2	1.8	3.1	5.6	9.2	15.1	21.3	25.2	28
		3A					0.5	0.8	1.2	2.0	3.6	5.9	9.7	13.7	16.2	18
3	80	FC	3.5	89.0	2	50	4.8	7.0	10.4	17.6	32.0	52.8	86.4	121.6	144.0	160
		1A					2.9	4.3	6.4	10.8	19.6	32.3	52.9	74.5	88.2	98
		2A					1.8	2.6	3.9	6.6	12.0	19.8	32.4	45.6	54.0	60
		3A					1.1	1.6	2.3	4.0	7.2	11.9	19.4	27.4	32.4	36
4	100	FC	4.4	111.5	2	50	7.7	11.3	16.6	28.2	51.2	84.5	138.2	194.6	230.4	256
		1A					4.7	6.9	10.1	17.2	31.2	51.5	84.2	118.6	140.4	156
		2A					2.8	4.1	6.1	10.3	18.8	31.0	50.8	71.4	84.6	94
		3A					1.8	2.6	3.9	6.6	12.0	19.8	32.4	45.6	54.0	60
6	150	FC	5.3	133.6	2.4	60	12.9	18.9	28.0	47.3	86.0	141.9	232.2	326.8	387.0	430
		1A					7.8	11.4	16.9	28.6	52.0	85.8	140.4	197.6	234.0	260
		2A					4.7	6.9	10.1	17.2	31.2	51.5	84.2	118.6	140.4	156
		3A					2.9	4.2	6.2	10.6	19.2	31.7	51.8	73.0	86.4	96
8	200	FC	6.9	175.5	2.8	70	22.2	32.6	48.1	81.4	148.0	244.2	399.6	562.4	666.0	740
		1A					13.5	19.8	29.3	49.5	90.0	148.5	243.0	342.0	405.0	450
		2A					8.1	11.9	17.6	29.7	54.0	89.1	145.8	205.2	243.0	270
		3A					4.9	7.2	10.7	18.0	32.8	54.1	88.6	124.6	147.6	164
10	250	FC	8.4	214.2	3.1	80	34.2	50.2	74.1	125.4	228.0	376.2	615.6	866.4	1026.0	1140
		1A					20.4	29.9	44.2	74.8	136.0	224.4	367.2	516.8	612.0	680
		2A					12.3	18.0	26.7	45.1	82.0	135.3	221.4	311.6	369.0	410
		3A					7.5	11.0	16.3	27.5	50.0	82.5	135.0	190.0	225.0	250
12	300	FC	10.4	264.8	3.9	120	49.5	72.6	107.3	181.5	330.0	544.5	891.0	1254.0	1485.0	1650
		1A					30.0	44.0	65.0	110.0	200.0	330.0	540.0	760.0	900.0	1000
		2A					19.2	28.2	41.6	70.4	128.0	211.2	345.6	486.4	576.0	640
		3A					11.5	16.9	25.0	42.2	76.8	126.7	207.4	291.8	345.6	384
14	350	FC	12.4	315.5	4.7	140	69.0	101.2	149.5	253.0	460.0	759.0	1242.0	1748.0	2070.0	2300
		1A					42.0	61.6	91.0	154.0	280.0	462.0	756.0	1064.0	1260.0	1400
		2A					25.2	37.0	54.6	92.4	168.0	277.2	453.6	638.4	756.0	840
		3A					15.6	22.9	33.8	57.2	104.0	171.6	280.8	395.2	468.0	520
16	400	FC	14.1	357.7	5.5	160	81.0	118.8	175.5	297.0	540.0	891.0	1458.0	2052.0	2430.0	2700
		1A					49.2	72.2	106.6	180.4	328.0	541.2	885.6	1246.4	1476.0	1640
		2A					29.4	43.1	63.7	107.8	196.0	323.4	529.2	744.8	882.0	980
		3A					18.0	26.4	39.0	66.0	120.0	198.0	324.0	456.0	540.0	600

NOTE

Cv : Valve flow coefficient

FL : Liquid pressure recovery factor

FC: Full capacity

2A: 2-Step reduction

1A: 1-Step reduction

3A: 3-Step reduction

AB Series Cv vs Travel (Tendril 1)

Size: 2" ... 16"

Flow characteristic: linear

Valve travel [%]		10	20	30	40	50	60	70	80	90	100					
F _L		0.912	0.915	0.917	0.920	0.923	0.926	0.929	0.930	0.925	0.920					
Valve size		Orifice diameter		Travel		Rated Cv										
Inch	mm	Sign	Inch	mm	Inch	mm										
2	50	FC	2.5	64.5	1.6	40	3.0	11.8	19.7	26.6	33.2	39.0	43.8	47.7	50.8	52
		1A					1.9	7.7	13.0	17.7	22.4	26.8	31.0	34.8	38.3	40
		2A					1.2	4.8	8.1	11.2	14.3	17.2	20.1	22.8	25.4	27
		3A					0.4	1.7	2.9	4.0	5.2	6.3	7.4	8.5	9.6	10
3	80	FC	3.5	89.0	2	50	7.5	23.0	36.9	49.9	61.9	73.2	82.9	91.2	98.0	102
		1A					4.7	14.6	23.7	32.4	40.6	48.8	56.4	63.6	70.4	75
		2A					2.4	7.6	12.4	17.1	21.7	26.2	30.5	34.8	38.9	40
		3A					1.2	3.9	6.4	8.9	11.3	13.8	16.1	18.4	20.7	21
4	100	FC	4.4	111.5	2	50	8.5	32.6	55.1	75.9	95.6	113.8	130.5	144.6	156.2	160
		1A					5.3	20.4	34.8	48.3	61.5	74.1	86.7	98.5	109.6	120
		2A					2.9	11.3	19.5	27.3	34.9	42.4	49.9	57.1	64.2	70
		3A					1.9	7.6	13.2	18.5	23.8	28.9	34.2	39.2	44.1	46
6	150	FC	5.3	133.6	2.4	60	13.8	54.4	95.1	134.3	170.9	204.3	234.1	259.9	281.9	290
		1A					9.0	35.2	61.8	88.2	114.1	139.2	163.1	185.7	206.9	220
		2A					4.9	18.9	33.1	47.3	61.6	75.9	90.1	104.1	117.9	130
		3A					2.9	10.8	18.8	26.9	35.0	43.2	51.4	59.5	67.7	75
8	200	FC	6.9	175.5	2.8	70	19.7	87.1	152.3	213.7	271.5	323.2	368.8	409.4	444.2	460
		1A					12.7	56.0	98.8	140.5	181.6	220.5	257.3	292.4	324.9	340
		2A					6.4	28.0	49.5	70.8	92.4	113.6	134.4	155.2	175.5	195
		3A					3.6	15.6	27.5	39.3	51.4	63.3	75.1	87.1	99.0	105
10	250	FC	8.4	214.2	3.1	80	39.7	122.6	206.9	287.7	361.2	430.8	493.5	548.0	597.7	630
		1A					25.7	78.3	132.7	186.4	237.5	288.4	337.1	382.2	426.0	460
		2A					14.2	41.5	69.9	98.4	126.0	154.4	182.4	209.4	236.8	255
		3A					8.4	23.2	38.6	54.1	69.1	84.6	100.2	115.3	130.8	140
12	300	FC	10.4	264.8	3.9	120	76.8	216.1	351.6	478.6	594.1	696.7	786.2	863.1	928.4	980
		1A					48.9	136.8	224.6	310.8	394.0	473.3	548.1	617.8	682.3	735
		2A					25.2	68.8	112.8	156.8	200.8	244.4	287.5	330.0	371.7	405
		3A					15.4	40.7	66.1	91.7	117.4	143.1	168.8	194.5	220.0	240
14	350	FC	12.4	315.5	4.7	140	89.2	275.6	460.6	634.1	789.1	929.1	1050.3	1151.4	1237.4	1300
		1A					56.5	174.0	293.5	410.7	521.9	629.9	731.6	824.7	912.3	985
		2A					29.7	90.1	152.1	214.2	274.8	336.1	396.5	454.9	513.1	565
		3A					16.4	48.4	81.3	114.3	146.8	179.9	212.9	245.3	278.2	310
16	400	FC	14.1	357.7	5.5	160	121.6	332.6	546.9	756.9	949.0	1121.7	1274.6	1402.5	1508.5	1580
		1A					73.6	198.0	326.6	458.4	586.9	712.2	834.3	948.3	1055.2	1145
		2A					41.5	108.3	177.2	248.6	319.8	391.4	464.1	535.3	605.7	670
		3A					26.9	68.0	110.1	153.6	197.1	241.1	286.2	330.8	375.6	415

AB Series Cv vs Travel (Tendril 1)

Size: 2" ... 16"

Flow characteristic: EQ%

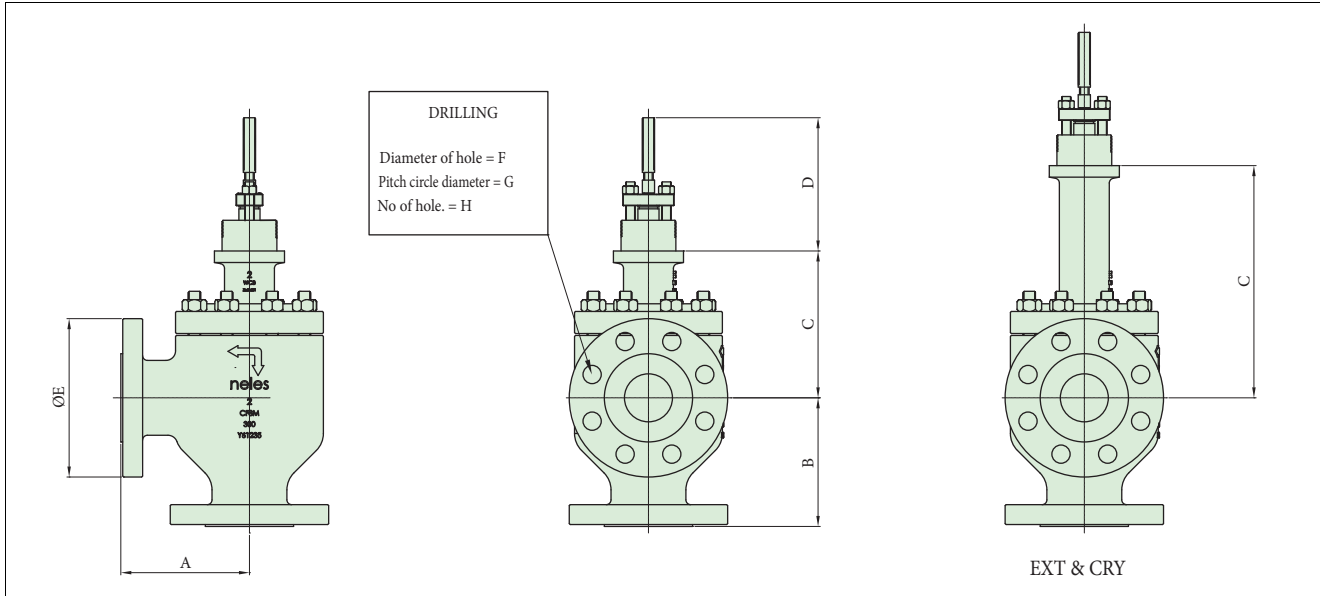
Valve travel [%]							10	20	30	40	50	60	70	80	90	100	
F _L							0.912	0.912	0.913	0.915	0.916	0.919	0.922	0.930	0.925	0.922	
Valve size		Orifice diameter			Travel		Rated Cv										
Inch	mm	Sign	Inch	mm	Inch	mm											
2	50	FC	2.5	64.5	1.6	40	0.4	2.4	4.4	8.1	13.7	20.5	28.3	36.4	44.1	50	
		1A					0.4	2.4	4.2	5.9	9.5	14.6	20.4	25.7	30.7	35	
		2A					0.2	1.0	2.3	4.0	6.2	8.9	11.9	14.8	17.7	20	
		3A					0.2	1.0	2.2	3.4	4.5	5.7	6.8	7.9	9.0	10	
3	80	FC	3.5	89.0	2	50	0.7	2.7	6.3	12.5	20.9	31.5	43.6	57.0	71.1	82	
		1A					0.7	2.7	4.7	8.5	14.8	23.6	33.3	42.5	51.3	58	
		2A					0.7	2.7	4.7	8.5	13.3	18.1	22.6	27.1	31.3	35	
		3A					0.3	1.4	3.1	5.5	8.0	10.5	12.9	15.3	17.6	20	
4	100	FC	4.4	111.5	2	50	1.0	5.2	9.5	17.1	30.3	48.2	71.3	95.5	117.5	135	
		1A					0.5	2.6	6.3	13.0	22.3	34.2	48.8	65.1	82.1	95	
		2A					0.5	2.6	4.8	8.7	15.6	24.6	33.8	42.5	51.1	58	
		3A					0.5	2.6	4.8	8.5	12.6	16.6	20.7	24.6	28.5	32	
6	150	FC	5.3	133.6	2.4	60	1.6	7.5	16.2	33.1	58.4	91.7	131.8	172.1	208.6	235	
		1A					1.6	7.5	13.4	22.2	39.2	64.5	92.9	120.7	147.3	170	
		2A					0.9	3.8	6.8	11.1	19.5	32.0	48.7	67.1	85.4	100	
		3A					0.9	3.8	6.8	11.1	18.8	26.9	35.0	43.2	51.4	58	
8	200	FC	6.9	175.5	2.8	70	1.5	12.8	35.3	68.6	113.2	167.1	227.7	288.0	341.3	370	
		1A					1.5	8.5	21.5	45.3	80.7	122.9	163.9	204.1	242.0	265	
		2A					0.8	4.3	10.8	22.6	40.3	63.6	91.9	122.8	152.7	170	
		3A					0.8	4.3	8.0	15.1	28.0	44.6	61.2	78.0	94.6	105	
10	250	FC	8.4	214.2	3.1	80	4.2	19.1	48.4	91.6	147.0	216.6	295.8	370.8	441.5	500	
		1A					4.2	12.2	31.1	63.9	109.2	165.6	221.2	273.6	325.3	370	
		2A					4.2	12.2	21.5	43.8	73.9	105.0	136.0	166.0	196.5	225	
		3A					2.9	6.8	11.5	22.6	39.3	57.3	75.4	93.0	111.1	125	
12	300	FC	10.4	264.8	3.9	120	7.4	26.7	75.3	153.7	260.7	391.7	527.8	648.9	754.0	840	
		1A					7.4	18.8	52.7	116.3	202.8	289.5	373.5	453.9	529.8	600	
		2A					4.5	10.2	27.1	58.6	104.8	156.2	207.5	258.3	308.3	355	
		3A					4.5	10.2	27.1	52.5	78.0	103.7	129.4	155.1	180.7	205	
14	350	FC	12.4	315.5	4.7	140	6.7	30.7	93.6	195.6	332.7	504.5	687.7	849.2	992.0	1110	
		1A					6.7	21.0	67.3	152.6	264.7	378.6	489.2	593.3	693.8	785	
		2A					4.0	11.1	34.1	76.5	137.3	207.6	277.7	345.7	414.0	480	
		3A					4.0	11.1	34.1	70.6	107.0	144.2	181.4	217.9	255.1	290	
16	400	FC	14.1	357.7	5.5	160	9.4	44.5	125.3	258.1	439.8	664.3	890.8	1090.8	1263.7	1400	
		1A					9.4	30.8	94.0	207.6	349.8	493.0	635.9	771.9	901.1	1020	
		2A					6.1	16.7	47.8	102.8	180.1	263.7	349.8	434.9	519.6	600	
		3A					6.1	16.7	47.8	90.1	132.6	175.8	220.2	264.5	309.0	350	

NOTE

Cv : Valve flow coefficient
 FL : Liquid pressure recovery factor
 FC : Full capacity
 2A : 2-Step reduction

1A : 1-Step reduction
 3A : 3-Step reduction

A series, Valve dimensions and weights



150 #/ 300 #/ 600

Dimension (mm)	A			B			C			D	E			F			G			H			Weight (kg) (Approximate)		
	150#	300#	600#	150#	300#	600#	STD	EXT	CRY	COMMON	150#	300#	600#	150#	300#	600#	150#	300#	600#	150#	300#	600#	150#	300#	600#
25	92	99	105	92	99	105	142	250	400	110	110	125	125	15.9	19.1	19.1	79.4	88.9	88.9	4	4	4	14	15	23
40	111	118	125	111	118	125	161	269	419	110	125	155	155	15.9	22.2	22.2	98.4	114.3	114.3	4	4	4	22	23	27
50	127	133	143	127	133	143	178	333	458	110	150	165	165	19.1	19.1	19.1	120.7	127	127	4	8	8	8	25	32
80	149	159	168	149	159	168	222	395	545	115	190	210	210	19.1	22.2	22.2	152.4	168.3	168.3	4	8	8	65	67	72
100	176	184	197	176	184	197	248	402	552	140	230	255	275	19.1	22.2	25.4	190.5	200	215.9	8	8	8	100	103	112
150	226	236	254	226	236	254	340	467	642	150	280	320	355	22.2	22.2	28.6	241.3	269.9	292.1	8	12	12	185	195	240
200	272	284	305	272	284	305	451	557	732	150	345	380	420	22.2	25.4	31.8	298.5	330.2	349.2	8	12	12	363	385	443
250	337	354	376	337	354	376	488	670	870	150	405	445	510	25.4	28.6	34.9	362	387.4	431.8	12	16	16	552	595	681
300	369	388	410	369	388	410	543	716	916	150	485	520	560	25.4	31.8	34.9	431.8	450.8	489	12	16	20	905	955	1020
350	445	464	486	445	464	486	616	846	1046	210	535	585	605	28.6	31.8	38.1	476.3	514.4	527	12	20	20	1170	1230	1311
400	508	529	554	508	529	554	692	909	1109	220	595	650	685	28.6	34.9	41.3	539.8	571.5	603.2	16	20	20	1380	1460	1587

Dimension (inch)	A			B			C			D	E			F			G			H			Weight (lbs) (Approximate)		
	150#	300#	600#	150#	300#	600#	STD	EXT	CRY	COMMON	150#	300#	600#	150#	300#	600#	150#	300#	600#	150#	300#	600#	150#	300#	600#
1"	3.6	3.9	4.1	3.6	3.9	4.1	5.6	9.8	15.7	4.3	4.3	4.9	4.9	0.6	0.8	0.8	3.1	3.5	3.5	4	4	4	30.9	33.1	50.7
1-1/2"	4.4	4.6	4.9	4.4	4.6	4.9	6.3	10.6	16.5	4.3	4.9	6.1	6.1	0.6	0.9	0.9	3.9	4.5	4.5	4	4	4	48.5	50.7	59.5
2"	5	5.2	5.6	5	5.2	5.6	7	13.1	18	4.3	5.9	6.5	6.5	0.8	0.8	0.8	4.8	5	5	4	8	8	55.1	59.5	70.5
3"	5.9	6.3	6.6	5.9	6.3	6.6	8.7	15.6	21.5	4.5	7.5	8.3	8.3	0.8	0.9	0.9	6	6.6	6.6	4	8	8	143.3	147.7	158.7
4"	6.9	7.2	7.8	6.9	7.2	7.8	9.8	15.8	21.7	5.5	9.1	10	10.8	0.8	0.9	1	7.5	7.9	8.5	8	8	8	220.5	227.1	246.9
6"	8.9	9.3	10	8.9	9.3	10	13.4	18.4	25.7	5.9	11	12.6	14	0.9	0.9	1.1	9.5	10.6	11.5	8	12	12	407.9	429.9	529.1
8"	10.7	11.2	12	10.7	11.2	12	17.8	21.9	28.8	5.9	13.6	15	16.5	0.9	1	1.3	11.8	13	13.7	8	12	12	800.3	848.8	976.6
10"	13.3	13.9	14.8	13.3	13.9	14.8	19.2	26.4	34.3	5.9	15.9	17.5	20.1	1	1.1	1.4	14.3	15.3	17	12	16	16	1217	1311.8	1501.3
12"	15	15.3	16.1	14.5	15.3	16.1	21.4	28.2	36.1	5.9	19.1	20.5	22	1	1.3	1.4	17	17.7	19.3	12	16	20	1995.2	2105.4	2248.7
14"	18	18.3	19.1	17.5	18.3	19.1	24.3	33.3	41.2	8.3	21.1	23	23.8	1.1	1.3	1.5	18.8	20.3	20.7	12	20	20	2579.4	2711.7	2890.3
16"	20	20.8	21.8	20	20.8	21.8	27.2	35.8	43.7	8.7	23.4	25.6	27	1.1	1.4	1.6	21.3	22.5	23.7	16	20	20	3042.4	3218.7	3498.7

900 #/ 1500 #

Dimension (mm)	A		B		C		D	E		F		G		H		Weight (kg) (Approximate)	
	900#	1500#	900#	1500#	STD	EXT	COMMON	900#	1500#	900#	1500#	900#	1500#	900#	1500#	900#	1500#
25	146	146	146	146	229	330	110	150	150	25.4	25.4	101.6	101.6	4	4	44	46
40	167	167	167	167	278	380	110	180	180	28.6	28.6	123.8	123.8	4	4	63	63
50	188	188	188	188	300	400	110	215	215	25.4	25.4	165.1	165.1	8	8	67	67
80	221	230	221	230	330	430	115	240	265	25.4	31.8	190.5	203.2	8	8	150	163
100	256	265	256	265	350	450	140	290	310	31.8	34.9	235	241.3	8	8	244	255
150	357	384	357	384	393	500	150	380	395	31.8	38.1	317.5	317.5	12	12	530	540
200	457	486	457	486	480	600	150	470	485	38.1	44.5	393.7	393.7	12	12	698	821
250	496	534	496	534	518	650	150	545	585	38.1	50.8	469.9	482.6	16	12	955	1137
300	565	610	565	610	680	800	150	610	675	38.1	54	533.4	571.5	20	16	1180	1240
350	629	629	629	629	770	920	210	640	750	41.3	60.3	558.8	635	20	16	1387	1477
400	711	711	711	711	850	1050	220	705	825	44.5	66.7	616	704.8	20	16	1601	1721

Dimension (inch)	A		B		C		D	E		F		G		H		Weight (lbs) (Approximate)	
	900#	1500#	900#	1500#	STD	EXT	COMMON	900#	1500#	900#	1500#	900#	1500#	900#	1500#	900#	1500#
1"	5.7	5.7	5.7	5.7	9	13	4.3	5.9	5.9	1	1	4	4	4	4	97	101.4
1-1/2"	6.6	6.6	6.6	6.6	11	15	4.3	7.1	7.1	1.1	1.1	4.9	4.9	4	4	138.9	138.9
2"	7.4	7.4	7.4	7.4	12	16	4.3	8.5	8.5	1	1	6.5	6.5	8	8	147.7	147.7
3"	8.7	9.1	8.7	9.1	13	17	4.5	9.4	10.4	1	1.3	7.5	8	8	8	330.7	359.4
4"	10.1	10.4	10.1	10.4	14	18	5.5	11.4	12.2	1.3	1.4	9.3	9.5	8	8	537.9	562.2
6"	14.1	15.1	14.1	15.1	15	20	5.9	15	15.6	1.3	1.5	12.5	12.5	12	12	1168.4	1190.5
8"	18	19.1	18	19.1	19	24	5.9	18.5	19.1	1.5	1.8	15.5	15.5	12	12	1538.8	1810
10"	20	21	19.5	21	20	26	5.9	21.5	23	1.5	2	18.5	19	16	12	2105.4	2506.7
12"	22.2	24	22.2	24	27	31	5.9	24	26.6	1.5	2.1	21	22.5	20	16	2601.5	2733.7
14"	24.8	24.8	24.8	24.8	30	36	8.3	25.2	29.5	1.6	2.4	22	25	20	16	3057.8	3256.2
16"	28	28	28	28	33	41	8.7	27.8	32.5	1.8	2.6	24.3	27.7	20	16	3529.6	3794.2

*Bigger sizes and higher ratings are available, please contact sales office for more information

How to order

Angle unbalanced, top guided type, series AU

1.	2.	3.	4.	5.	6.	7.	8.	9.	10.	11.	12.	13.	14.	15.	16.	17.	18.	19.	20.	21.	22.
AU	01	C	W	A	J2	B	P1	X	BC	S1	R1	X	S	G	X	S	G	X	A	E	FC

Valve constructions

1.	Valve series	
AU	Angle unbalanced, top guided type	

2.	Body size						
0H	0.5"	/	DN 15	3Q	0.75"	/	DN 20
01	1"	/	DN 25	1H	1.5"	/	DN 40
02	2"	/	DN 50	03	3"	/	DN 80
04	4"	/	DN 100	06	6"	/	DN 150
Y	Special						

3.	Pressure rating			
C	ASME class 150		D	ASME class 300
F	ASME class 600		G	ASME class 900
H	ASME class 1500		I	ASME class 2500
J	EN PN 10		K	EN PN 16
L	EN PN 25		M	EN PN 40
N	EN PN 63		P	EN PN 100
B	EN PN 160		E	EN PN 250
Y	EN PN 320			

4.	End connection	
W	Flanged RF, ASME B16.5	
Z	Ring joint flange, ASME B16.5	
V	Socket welding, ASME B16.11	
Q	Butt welding, ASME B16.25	
Y	Special	

5.	Bonnet construction	
	Bonnet type	Actuator connection
A	General	Applicable for VD_25/29/37
B	General	Applicable for VD_48/55
C	General	Applicable for VC_30, VB_32
D	General	Applicable for VC/VB_40/50/60/70
E	Extension	Applicable for VD_25/29/37
F	Extension	Applicable for VD_48/55
G	Extension	Applicable for VC_30, VB_32
H	Extension	Applicable for VC/VB_40/50/60/70
P	Cryogenic	Applicable for VD_25/29/37
Q	Cryogenic	Applicable for VD_48/55
R	Cryogenic	Applicable for VC_30, VB_32
S	Cryogenic	Applicable for VC/VB_40/50/60/70
Y	Bellows seals	Applicable for VD_25/29/37

6.	Body material	
J2	A216 gr. WCB	
S6	A351 gr. CF8M	
J4	A217 gr. WC6	
CG	A217 gr. WC9	
S1	A351 gr. CF3M	
YY	Special	

- Bonnet material is equivalent to body material.

7.	Model code	
B	Model B	

Trim constructions

8.	Plug material	
	Material	Description
P1	410 SS	General for carbon steel valve
T6	316 SS	General for stainless steel valve
VM	Alloy 6	Use for small Cv and micro trim
P2	420J2	General for Cr-Mo valve
S1	316L SS	
YY	Special	Special materials

9.	Plug application	
X	Not applicable	
A	Cobalt based alloy	
Y	Special	

10.	Stem material	
	Material	Description
BC	630 SS + HCr	General for carbon steel valve
TC	316 SS + HCr	General for stainless steel valve
VX	XM-19	General for Cr-Mo valve
FC	316L SS + HCr	

11.	Seat type	
S1	Single metal seat	
T1	Single soft seat	
YY	Special	

12.	Seat / retainer material		
	Seat	Retainer	Guide bushing
R1	410 SS	CB7Cu-1 / 630 SS	AISI 440C
T6	316 SS	CF8M / 316 SS	AISI 316 + Alloy 6
V6	Alloy 6	CF8M / 316 SS	AISI 316 + Alloy 6
P2	420J2	CA40/420J2	AISI 440C
R2	420J2 SS	CB7Cu-1 / 630 SS	AISI 440C
R3	316L SS	316L SS	AISI 316 + Alloy 6
YY	Special	Special	Special

- AISI 410 is general for carbon steel valve.
- AISI 316 is general for carbon steel valve.

13.	Seat application	
X	Not applicable	
A	Cobalt based alloy	
P	Insert PTFE	
Q	Insert PTFE + Cobalt based alloy	
Y	Special	

Others

14.	Packing / bellows type
S	General packing
E	Low emission, live loaded
C	Bellows seal (316L SS, Formed)
Y	Special

15.	Packing material
G	PTFE + Carbon fiber
F	Graphite
T	PTFE V-Ring
C	PTFE + Carbon fiber (ATEX)
H	Hi-Graphite
Y	Special

16.	Seal ring material
X	Not applicable

17.	Gasket material
S	S/W gasket type, 316L SS + Graphite
H	S/W gasket type, 316L SS + Graphite for high temp.
L	S/W gasket type, 316L SS + Hi-Graphite
Y	Special

18.	Stud / nut material
G	A193 gr. B7M / A194 gr. 2HM
D	A193 gr. B8M / A194 gr. 8M
K	A320 gr. B8M cl. 2 / A194 gr. 8M
H	A193 gr. B16 / A194 gr. 7
E	A453 gr. 660/ A453 gr. 660
Y	Special

19.	Options
X	Not applicable
E	Anti-erosion
H	Alloy 6 coating on plug & plug guide for high temperature (top-guided valve only)
L	Lub. & Isol. valve
W	Water seal
Y	Special

- * Face to face length according to ISA 75.08
- * The body, bonnet, trim materials are subject to change as equivalent depending on detail design.
- * See 'Neles Globe Type code Instruction' for further options and explanations.

Trim type & rated Cv

20.	Trim type	21.	Trim characteristic	22.	Rated Cv																		
					Sign	Description	Body size and stroke																
							0.5"	Str.	0.75"	Str.	1"	Str.	1.5"	Str.	2"	Str.	3"	Str.	4"	Str.	6"	Str.	
A	General plug	E	Equal %	FC	General / Full capacity	7	(20)	9	(20)	13.5	(20)	28	(20)	49	(20)	100	(40)	190	(40)	295	(60)		
			Linear	1A	General / 1-Step reduction	4	(20)	5.5	(20)	8.5	(20)	16	(20)	28	(20)	70	(40)	120	(40)	165	(60)		
					2A	General / 2-Step reduction	2.3	(20)	3	(20)	5.4	(20)	10.5	(20)	17	(20)	42	(40)	72	(40)	85	(60)	
					3A	General / 3-Step reduction	1.5	(20)	2	(20)	3.1	(20)	6	(20)	10	(20)	25	(40)	42	(40)	50	(60)	
					4A	General / 4-Step reduction	0.8	(20)	1.2	(20)	2	(20)	4	(20)									
					5A	General / 5-Step reduction	0.5	(20)	0.7	(20)	1.2	(20)	2.2	(20)									
					6A	General / 6-Step reduction	0.3	(20)	0.4	(20)	0.8	(20)	1.2	(20)									
					FT	Tendril / Full capacity	7	(20)	9	(20)	13.5	(20)	28	(20)	49	(20)	100	(40)	190	(40)	IQI	(60)	
					1T	Tendril / 1-Step reduction	4	(20)	5.5	(20)	8.5	(20)	16	(20)	28	(20)	70	(40)	120	(40)	IQI	(60)	
					2T	Tendril / 2-Step reduction	2.3	(20)	3	(20)	5.4	(20)	10.5	(20)	17	(20)	42	(40)	72	(40)	IQI	(60)	
					3T	Tendril / 3-Step reduction	1.5	(20)	2	(20)	3.1	(20)	6	(20)	10	(20)	25	(40)	42	(40)	IQI	(60)	
					4T	Tendril / 4-Step reduction	0.8	(20)	1.2	(20)	2	(20)	4	(20)									
					5T	Tendril / 5-Step reduction	0.5	(20)	0.7	(20)	1.2	(20)	2.2	(20)									
					6T	Tendril / 6-Step reduction	0.3	(20)	0.4	(20)	0.8	(20)	1.2	(20)									
C	Micro plug	L	Linear	FC	General / Full capacity	0.1	(20)	0.1	(20)	0.1	(20)												
				1A	General / 1-Step reduction	0.06	(20)	0.06	(20)	0.06	(20)												
				2A	General / 2-Step reduction	0.03	(20)	0.03	(20)	0.03	(20)												
				3A	General / 3-Step reduction	0.01	(20)	0.01	(20)	0.01	(20)												
				4A	General / 4-Step reduction	0.006	(20)	0.006	(20)	0.006	(20)												
				5A	General / 5-Step reduction	0.003	(20)	0.003	(20)	0.003	(20)												
Y	Special	Y	Special	YY	Special	Contact Valmet for Cv details																	

- Rated Cv is different depending on trim type and characteristic.
- Str. : valve stroke length (mm). It should be matched with actuator stroke length.

How to order

Angle balanced, cage guided type, series AB

1.	2.	3.	4.	5.	6.	7.	8.	9.	10.	11.	12.	13.	14.	15.	16.	17.	18.	19.	20.	21.	22.
AB	03	C	W	A	J2	B	P1	X	BC	S1	R1	X	S	F	G	S	G	X	A	E	FC

Valve constructions

1.	Valve series	
AB	Angle balanced, cage guided type	

2.	Body size						
02	2"	/	DN 50	03	3"	/	DN 80
04	4"	/	DN 100	06	6"	/	DN 150
08	8"	/	DN 200	10	10"	/	DN 250
12	12"	/	DN 300	14	14"	/	DN 350
16	16"	/	DN 400	18	18"	/	DN 450
20	20"	/	DN 500	24	24"	/	DN 600
YY	Special						

3.	Pressure rating				
C	ASME class 150		D	ASME class 300	
F	ASME class 600		G	ASME class 900	
H	ASME class 1500		I	ASME class 2500	
J	EN PN 10		K	EN PN 16	
L	EN PN 25		M	EN PN 40	
N	EN PN 63		P	EN PN 100	
B	EN PN 160		E	EN PN 250	
Y	EN PN 320				

4.	End connection	
W	Flanged RF, ASME B16.5	
Z	Ring joint flange, ASME B16.5	
V	Socket welding, ASME B16.11	
Q	Butt welding, ASME B16.25	
Y	Special	

5.	Bonnet construction	
	Bonnet type	Actuator connection
A	General	Applicable for VD_25/29/37
B	General	Applicable for VD_48/55
C	General	Applicable for VC_30, VB_32
D	General	Applicable for VC/VB_40/50/60/70
E	Extension	Applicable for VD_25/29/37
F	Extension	Applicable for VD_48/55
G	Extension	Applicable for VC_30, VB_32
H	Extension	Applicable for VC/VB_40/50/60/70
P	Cryogenic	Applicable for VD_25/29/37
Q	Cryogenic	Applicable for VD_48/55
R	Cryogenic	Applicable for VC_30, VB_32
S	Cryogenic	Applicable for VC/VB_40/50/60/70
Y	Special	Special

6.	Body material	
J2	A216 gr. WCB	
S6	A351 gr. CF8M	
J4	A217 gr. WC6	
CG	A217 gr. WC9	
S1	A351 gr. CF3M	
YY	Special	

- Bonnet material is equivalent to body material.

7.	Model code	
B	Model B	

Trim constructions

8.	Plug material	
	Material	Description
P1	CA15	General for carbon steel valve
T6	CF8M	General for stainless steel valve
P2	CA40	General for high temp. Cr-Mo Valve
S1	CF3M	
YY	Special	Special materials

9.	Plug application	
X	Not applicable	
A	Cobalt based alloy	
Y	Special	

10.	Stem material	
	Material	Description
BC	630 SS + HCr	General for carbon steel valve
TC	316 SS + HCr	General for stainless steel valve
FC	316L SS + HCr	
VX	XM-19	

11.	Seat type	
S1	Single metal seat	
T1	Single soft seat	
YY	Special	

12.	Seat / cage material		
	Seat	Cage	Cage guide
R1	CA15	CB7Cu-1 + HCr	CB7Cu-1 + HCr
T6	CF8M	CF8M + HCr	CF8M + HCr
P2	CA40	CA40	CA40
R3	CF3M	CF3M + HCr	CF3M + HCr
YY	Special	Special	Special

- CA15 / AISI 410 is general for carbon steel valve.
- CF8M / AISI 316 is general for stainless steel valve.

13.	Seat application	
X	Not applicable	
A	Cobalt based alloy	
P	Insert PTFE	
Q	Insert PTFE + Cobalt based alloy	
Y	Special	

Others

14.	Packing / bellows type
S	General packing
E	Low emission, live loaded
C	Bellows Seal (316L SS, Formed)
Y	Special

17.	Gasket material
S	S/W gasket type, 316L SS + Graphite
L	S/W gasket type, 316L SS + PTFE
H	S/W gasket type, 316L SS + Hi-Graphite
Y	Special

15.	Packing material
G	PTFE + Carbon fiber
F	Graphite
T	PTFE V-Ring
C	PTFE + Carbon fiber (ATEX)
H	Hi-Graphite
Y	Special

18.	Stud / nut material
G	A193 gr. B7M / A194 gr. 2HM
D	A193 gr. B8M / A194 gr. 8M
K	A320 gr. B8M cl. 2 / A194 gr. 8M
H	A193 gr. B16 / A194 gr. 7
E	A453 gr. 660 / A453 gr. 660
Y	Special

16.	Seal ring material
G	PTFE + Graphite
H	PTFE + Graphite + Carbon
M	Graphite
Y	Special

19.	Options
X	Not applicable
E	Anti-erosion
L	Lub. & Isol. valve
W	Water seal
Y	Special

* Face to face length according to ISA 75.08

* The body, bonnet, trim materials are subject to change as equivalent depending on detail design.

* See 'Neles Globe Type code Instruction' for further options and explanations.

* Round bar material such as AISI 410SS (for A743 gr. CA 15), AISI 316SS (for A351 gr. CF8M), SUS420J2 (for A743 gr. CA40) and AISI 630SS (for A747 gr. CB7Cu-1) can be used depending on manufacturing process.

Trim type & rated Cv

20. Sign	Trim type	21. Sign	Trim characteristic	22. Sign	Description	Rated Cv																		
						Body size and stroke																		
						2"	Str.	3"	Str.	4"	Str.	6"	Str.	8"	Str.	10"	Str.	12"	Str.	14"	Str.	16"	Str.	
A A p	General plug High temp. balanced plug Pilot balanced plug	L	Linear	FC	General / Full capacity	82	(40)	174	(50)	280	(50)	470	(60)	810	(70)	1250	(80)	1810	(120)	2530	(140)	2960	(160)	
				1A	General / 1-Step reduction	74	(40)	104	(50)	170	(50)	284	(60)	500	(70)	760	(80)	1100	(120)	1540	(140)	1780	(160)	
				2A	General / 2-Step reduction	44	(40)	62	(50)	100	(50)	170	(60)	320	(70)	460	(80)	680	(120)	940	(140)	1080	(160)	
				3A	General / 3-Step reduction	26	(40)	40	(50)	64	(50)	100	(60)	200	(70)	280	(80)	420	(120)	580	(140)	660	(160)	
				FT	Tendril 1 / Full capacity	52	(40)	102	(50)	160	(50)	290	(60)	460	(70)	630	(80)	980	(120)	1300	(140)	1580	(160)	
				1T	Tendril 1 / 1-Step reduction	40	(40)	75	(50)	120	(50)	220	(60)	340	(70)	460	(80)	735	(120)	985	(140)	1145	(160)	
				2T	Tendril 1 / 2-Step reduction	27	(40)	40	(50)	70	(50)	130	(60)	195	(70)	255	(80)	405	(120)	565	(140)	670	(160)	
				3T	Tendril 1 / 3-Step reduction	10	(40)	21	(50)	46	(50)	75	(60)	105	(70)	140	(80)	240	(120)	310	(140)	415	(160)	
				FM	Tendril 2 / Full capacity	50	(40)	100	(50)	155	(50)	280	(60)	425	(70)	590	(80)	920	(120)	1240	(140)	1530	(160)	
	1M	Tendril 2 / 1-Step reduction	35	(40)	74	(50)	115	(50)	215	(60)	330	(70)	450	(80)	720	(120)	970	(140)	1130	(160)				
	2M	Tendril 2 / 2-Step reduction	23	(40)	33	(50)	65	(50)	120	(60)	190	(70)	240	(80)	380	(120)	550	(140)	640	(160)				
	3M	Tendril 2 / 3-Step reduction	8	(40)	18	(50)	38	(50)	67	(60)	100	(70)	130	(80)	220	(120)	290	(140)	390	(160)				
	Y	Special	E	Equal %	FC	General / Full capacity	76	(40)	160	(50)	256	(50)	430	(60)	740	(70)	1140	(80)	1650	(120)	2300	(140)	2700	(160)
					1A	General / 1-Step reduction	46	(40)	98	(50)	156	(50)	260	(60)	450	(70)	680	(80)	1000	(120)	1400	(140)	1640	(160)
					2A	General / 2-Step reduction	28	(40)	60	(50)	94	(50)	156	(60)	270	(70)	410	(80)	640	(120)	840	(140)	980	(160)
					3A	General / 3-Step reduction	18	(40)	35	(50)	60	(50)	96	(60)	164	(70)	250	(80)	384	(120)	520	(140)	600	(160)
					FT	Tendril 1 / Full capacity	50	(40)	82	(50)	135	(50)	235	(60)	370	(70)	500	(80)	840	(120)	1110	(140)	1400	(160)
					1T	Tendril 1 / 1-Step reduction	35	(40)	58	(50)	95	(50)	170	(60)	265	(70)	370	(80)	600	(120)	785	(140)	1020	(160)
2T					Tendril 1 / 2-Step reduction	20	(40)	35	(50)	58	(50)	100	(60)	170	(70)	225	(80)	355	(120)	480	(140)	600	(160)	
3T					Tendril 1 / 3-Step reduction	10	(40)	20	(50)	32	(50)	58	(60)	105	(70)	125	(80)	205	(120)	290	(140)	350	(160)	
FM					Tendril 2 / Full capacity	47	(40)	74	(50)	130	(50)	230	(60)	330	(70)	470	(80)	770	(120)	1050	(140)	1320	(160)	
1M	Tendril 2 / 1-Step reduction	33	(40)	56	(50)	92	(50)	165	(60)	245	(70)	330	(80)	570	(120)	720	(140)	960	(160)					
2M	Tendril 2 / 2-Step reduction	19	(40)	33	(50)	52	(50)	95	(60)	145	(70)	190	(80)	330	(120)	430	(140)	550	(160)					
3M	Tendril 2 / 3-Step reduction	8	(40)	16	(50)	25	(50)	52	(60)	80	(70)	110	(80)	190	(120)	270	(140)	295	(160)					
YY	Special	YY	Special	YY	Special	Contact Valmet for Cv details																		

- Rated Cv is different depending on trim characteristic.

- Str. : valve stroke length (mm). It should be matched with actuator stroke length.

How to order

Angle Omega trim, multi-stage type, series AM

1.	2.	3.	4.	5.	6.	7.	8.	9.	10.	11.	12.	13.	14.	15.	16.	17.	18.	19.	20.	21.	22.
AM	02	C	W	A	J2	B	P2	X	BC	S1	P2	X	S	G	G	S	G	X	A	E	FG

Valve constructions

1.	Valve series	
AM	Angle Omega trim, multi-stage type	

2.	Body size						
01	1"	/	DN 25	1H	1.5"	/	DN 40
02	2"	/	DN 50	03	3"	/	DN 80
04	4"	/	DN 100	06	6"	/	DN 150
08	8"	/	DN 200	10	10"	/	DN 250
12	12"	/	DN 300	14	14"	/	DN 350
16	16"	/	DN 400	18	18"	/	DN 450
20	20"	/	DN 500	24	24"	/	DN 600
YY	Special						

3.	Pressure rating			
C	ASME class 150	D	ASME class 300	
F	ASME class 600	G	ASME class 900	
H	ASME class 1500	I	ASME class 2500	
J	EN PN 10	K	EN PN 16	
L	EN PN 25	M	EN PN 40	
N	EN PN 63	P	EN PN 100	
B	EN PN 100	E	EN PN 250	
Y	EN PN 320			

4.	End connection	
W	Flanged RF, ASME B16.5	
V	Socket welding, ASME B16.11	
Q	Butt welding, ASME B16.25	
Z	Ring joint flange, ASME B16.5	
Y	Special	

5.	Bonnet construction	
	Bonnet type	Actuator connection
A	General	Applicable for VD_25/29/37
B	General	Applicable for VD_48/55
C	General	Applicable for VC_30, VB_32
D	General	Applicable for VC/VB_40/50/60/70
E	Extension	Applicable for VD_25/29/37
F	Extension	Applicable for VD_48/55
G	Extension	Applicable for VC_30, VB_32
H	Extension	Applicable for VC/VB_40/50/60/70
P	Cryogenic	Applicable for VD_25/29/37
Q	Cryogenic	Applicable for VD_48/55
R	Cryogenic	Applicable for VC_30, VB_32
S	Cryogenic	Applicable for VC/VB_40/50/60/70
Y	Special	Special

6.	Body material	
J2	A216 gr. WCB	
S6	A351 gr. CF8M	
J4	A217 gr. WC6	
CG	A217 gr. WC9	
S1	A351 gr. CF3M	
YY	Special	

- Bonnet material is equivalent to body material.

7.	Model code	
B	Model B	

Trim constructions

8.	Plug material	
	Material	Description
P2	CA40	General for carbon steel valve
T6	CF8M + HCr	General for stainless steel valve
YY	Special	Special materials

9.	Plug application	
X	Not applicable	
A	Cobalt based alloy	
Y	Special	

10.	Stem material	
	Material	Description
BC	630 SS + HCr	General for carbon steel valve
TC	316 SS + HCr	General for stainless steel valve
FC	316L SS + HCr	
VX	XM-19	

11.	Seat type	
S1	Single metal seat	
YY	Special	

12.	Seat / disk stack material		
	Seat	Disk stack	Cage guide
P2	CA40	SUS 420J2	CA40
R4	CF8M	316L SS	CF8M + HCr
YY	Special	Special	Special

13.	Seat application	
X	Not applicable	
A	Cobalt based alloy	
Y	Special	

Others

14.	Packing / bellows type
S	General packing
E	Low emission, Live loaded
C	Bellows Seal (316L SS, Formed)
Y	Special

17.	Gasket material
S	S/W gasket type, 316L SS + Graphite
L	S/W gasket type, 316L SS + PTFE
H	S/W gasket type, 316L SS + Hi-Graphite
Y	Special

15.	Packing material
G	PTFE + Carbon fiber
F	Graphite
T	PTFE V-Ring
C	PTFE + Carbon fiber (ATEX)
H	Hi-Graphite
Y	Special

18.	Stud / nut material
G	A193 gr. B7M / A194 gr. 2HM
D	A193 gr. B8M / A194 gr. 8M
K	A320 gr. B8M cl. 2 / A194 gr. 8M
H	A193 gr. B16 / A194 gr. 7
E	A453 gr. 660 / A453 gr. 660
Y	Special

16.	Seal ring material
G	PTFE + Graphite
H	PTFE + Graphite + Carbon
M	Graphite
T	PTFE
Y	Special

19.	Options
X	Not applicable
E	Anti-erosion
L	Lub. & Isol. valve
W	Water seal
Y	Special

* Face to face length according to ISA 75.08

* The body, bonnet, trim materials are subject to change as equivalent depending on detail design.

* See 'Neles Globe Type code Instruction' for further options and explanations.

* Round bar material such as AISI 410SS (for A743 gr. CA 15), AISI 316SS (for A351 gr. CF8M), SUS420J2 (for A743 gr. CA40) and AISI 630SS (for A747 gr. CB7Cu-1) can be used depending on manufacturing process.

Trim type & rated Cv

20. Sign	Trim type	21. Sign	Trim characte- ristic	22. Sign	Description	Rated Cv																					
						Body size and stroke																					
						1"	Str.	1.5"	Str.	2"	Str.	3"	Str.	4"	Str.	6"	Str.	8"	Str.	10"	Str.	12"	Str.	14"	Str.	16"	Str.
A	Balanced plug	L	Linear	FG	Full capa. / Gas	8	(20)	18	(20)	30	(40)	62	(50)	96	(50)	168	(60)	290	(70)	440	(80)	640	(120)	880	(140)	1160	(160)
A	High temp. balanced plug			FL	Full capa. / Liquid																						
P	Pilot balanced plug			1G	1-Step red. / Gas	5	(20)	12	(20)	20	(40)	40	(50)	60	(50)	100	(60)	180	(70)	270	(80)	400	(120)	530	(140)	700	(160)
U	Unbalanced plug			1L	1-Step red. / Liquid																						
				2G	2-Step red. / Gas																						
				2L	2-Step red. / Liquid	3	(20)	8	(20)	12	(40)	26	(50)	40	(50)	64	(60)	110	(70)	160	(80)	240	(120)	320	(140)	420	(160)
				3G	3-Step red. / Gas																						
				3L	3-Step red. / Liquid	2	(20)	5	(20)	8	(40)	16	(50)	24	(50)	42	(60)	70	(70)	100	(80)	150	(120)	200	(140)	260	(160)
				FG	Full capa. / Gas																						
		E	Equal %	FL	Full capa. / Liquid	5	(20)	10	(20)	18	(40)	38	(50)	60	(50)	104	(60)	176	(70)	268	(80)	390	(120)	540	(140)	710	(160)
				1G	1-Step red. / Gas																						
				1L	1-Step red. / Liquid	2.5	(20)	6	(20)	11	(40)	24	(50)	36	(50)	64	(60)	108	(70)	164	(80)	236	(120)	328	(140)	430	(160)
				2G	2-Step red. / Gas																						
				2L	2-Step red. / Liquid	1.2	(20)	3	(20)	5	(40)	12	(50)	18	(50)	32	(60)	54	(70)	82	(80)	118	(120)	164	(140)	214	(160)
				3G	3-Step red. / Gas																						
				3L	3-Step red. / Liquid	0.6	(20)	1.5	(20)	2	(40)	6	(50)	9	(50)	16	(60)	27	(70)	40	(80)	60	(120)	82	(140)	106	(160)
Y	Special	Y	Special	YY	Special	Contact Valmet for Cv details																					

- Rated Cv is different depending on trim type and characteristic.

- Str. : valve stroke length (mm). It should be matched with actuator stroke length.

Valmet Flow Control Oy

Vanha Porvoontie 229, 01380 Vantaa, Finland.

Tel. +358 10 417 5000.

www.valmet.com/flowcontrol

Subject to change without prior notice.

Neles, Neles Easyflow, Jamesbury, Stonel, Valvcon and Flowrox, and certain other trademarks, are either registered trademarks or trademarks of Valmet Oyj or its subsidiaries in the United States and/or in other countries.

For more information www.neles.com/trademarks

