



Guide to Manual and Automated Butterfly Valves

Selection Guide for Butterfly Valves



P.O. Box 1293
Lumberton, NC 28359
E-Mail: sales@maxsealinc.com

Telephone: (910) 738-2866
Fax: (910) 739-1733

Resilient Seated Butterfly Valves

Performance Series

Built for Heavy Duty Applications

Ductile Iron Body
 Disc: Nylon Coated
 316SS or Bronze Disc
 Seat: EPDM / Buna / Viton
 ISO 5211 Top Flange

Size Range: 2"-24"
 Pressure: 200 WOG



51 Model
Wafer Type



52 Model
Lug Type

ISO Series

This series is in full compliance with ISO 5211

Low Torque - Direct Mount Automation Design

Ductile Iron Body / 316 SS Disc
 Die Cast Aluminum Handle
 Seat: EPDM / Viton / Buna / PTFE /
 Specials

Size Range: 1½"-24"
 Pressure: 200 WOG



51-I Model
Wafer Type



52-I Model
Lug Type

Chem-Tek Series

Designed for Corrosive Environments

316 Stainless Steel Standard
 Body Special Duplex / Alloy 20
 Seat: EPDM / Buna / PTFE / Viton
 ISO 5211 Direct Mount
 4 Drilled & Tapped Lugs, Ideal for Precise
 Alignment

Size Range: 2"-12"
 Pressure: 150 WOG



53 Model
Semi-Lug



53 Model
Semi-Lug

Chem-Flo Series

Built for Highly Corrosive Media

Ductile Iron Body
 Optional Stainless Steel Body
 Wafer and Lug Available
 Disc: 316SS or 316SS / PTFE Lined
 Seat: PTFE
 2-Piece Body Design
 ISO 5211 / Direct Mount

Size Range: 2"-24"
 Pressure: 175 WOG



25 Model
Wafer Type



26 Model
Lug Type

High Performance Butterfly Valves

HP Series

Fire Safe - Fire Pro Series

Wafer and Lug Type
Built to ANSI & API standards
Eccentric Double Offset Design

Both Types
ANSI Class 150 / Class 300
Standard Material SS316
Or Carbon Steel WCB
Special Duplex SS / Alloy 20
17 - 4PH Shaft
Adjustable Stem Packing
with Gear or Actuator Mounted
Optional Valve Seats Available
ISO 5211 Top Flange

Size Range: 2"-48"
Pressure Classes: 150 / 300

Wafer Type
Class 150: Model BW630
Class 300: Model BW730

Lug Type
Class 150: Model BL630
Class 300: Model BL730



BW 630
Wafer Type
Class 150



BL 630
Lug Type
Class 300

Hi-Tek Series

Triple Offset Butterfly Valves Hi-Tek Series

Triple Offset Butterfly Valves are designed for extreme temperatures, extreme pressures, and your toughest application challenges.

Triple Offset Butterfly Valves feature standard metal seats, robust laminated disc seats, and unique graphite stem bearing seals for long service life.

Design Features
Full Flanged End
Wafer Type
Lug Type
Butt Weld
Metal Seats
Class VI Shut-Off

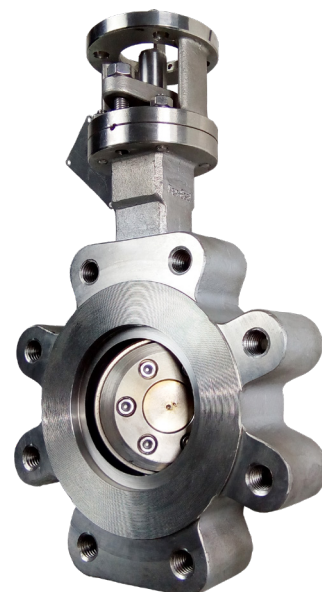
Size Range:
3"-48"
Pressure Classes:
150/300/600/900



Double Offset



Triple Offsets



Automated Butterfly Valves

Performance 250 Series

Ideal design for high pressure dead end service

The Performance 250 Series is designed to fill the gap between the resilient seated valves and the high performance ANSI 150 valves. Most iron body BFV are derated above 12". Changing from an iron body to a carbon steel HP valve can often cost up to five times the price of the iron body valve.

Disc / Shaft Connection

Low-Cost, Heavy-Duty Ductile Iron Body

A higher strength 17 - 4PH, ISO square drive ensures a positive shaft to disk connection.

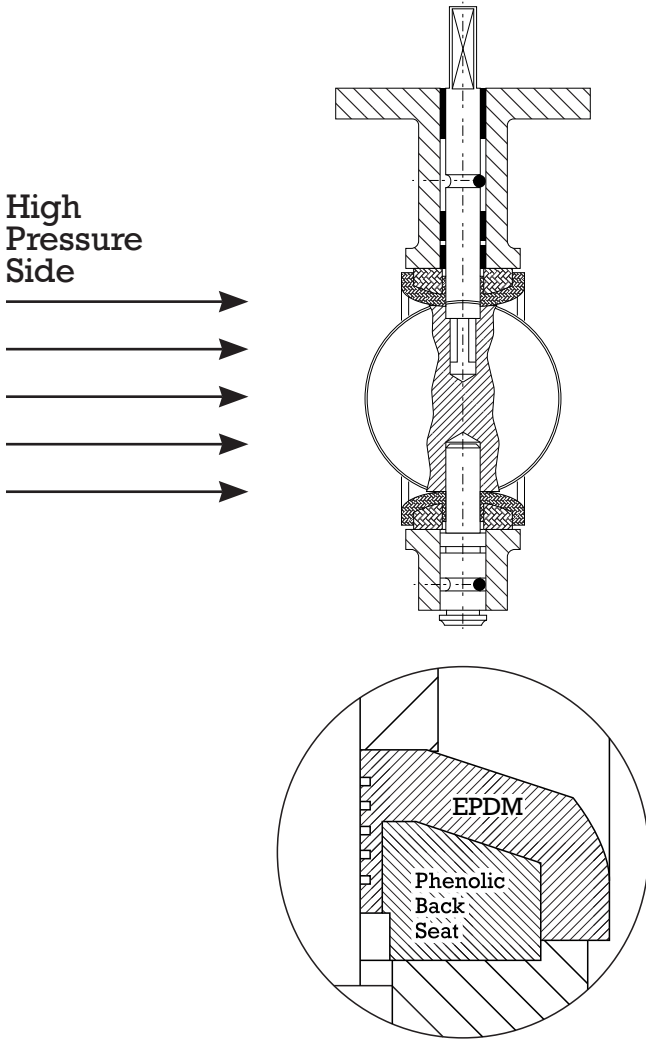
No pins or bolts are exposed to flow. Shaft retainers mechanically retain the shaft in the body, ensuring a blowout-proof design.

Retaining step machined in valve body prevents a possible seat blowout under extreme pressures.

All valves are 110% factory tested to guarantee tight shut-off at full rated pressure.

Uni-directional flow for high pressure side

2"-12" 250 psi
14"-24" 200 psi



Extended Range Series

Butterfly valves—designed to perform in the most difficult applications.

Valves are manufactured and certified to AWWA, API, 6D, CE, ISO 9001, ANSI, and NACE standards.

ABS Certificate Number: 12-HS918322-PDA
Pressure: 150-1500 ANSI Class
Size Range: 3"-120"

Custom designed valves to meet your requirements.



Max-Seal Offers a Complete Automation Package of Pneumatic, Hydraulic, and Electric Actuators and Accessories.



Max-Seal, Inc.
4815 West 5th St.
Lumberton, NC 28358

P.O. Box 1293
Lumberton, NC 28359
www.maxsealinc.com

910-738-2866
910-739-1733
sales@maxsealinc.com