



**Protected operating conditions**

**INTERTEC**



# Protection of critical field equipment



# Field protection



Boxes

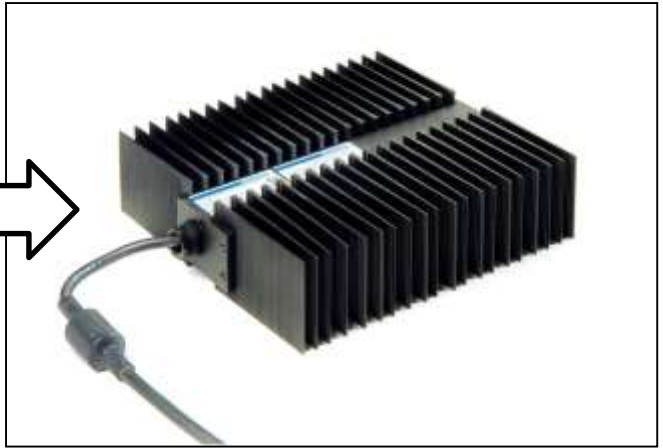


Walk-In Shelters

Cabinets



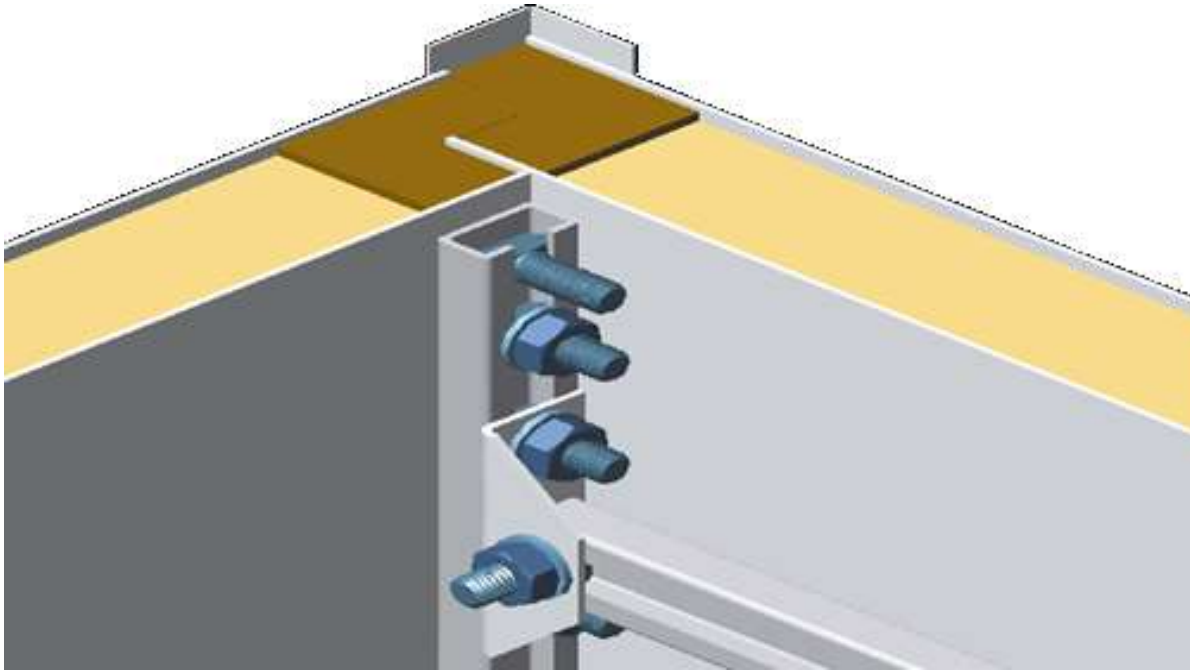
Coolers



Heaters



# Composites: Long Fiber Reinforced Polyester



- ✓ Corrosion and UV Resistant
- ✓ Lightweight
- ✓ Chemical resistant
- ✓ High strength
- ✓ Long Life Cycle
- ✓ Versatile
- ✓ Low Thermal Conductivity
- ✓ Suitable for cold and hot environments
- ✓ Easy to Insulate
- ✓ Many ways of construction
- ✓ Fire resistant





# INTERTEC's experience and portfolio

- ✓ Very broad range of products



# INTERTEC's experience and portfolio

- ✓ Very broad range of products
- ✓ Any size



# INTERTEC's experience and portfolio

- ✓ Very broad range of products
- ✓ Any size
- ✓ Right solution



# INTERTEC's experience and portfolio

- ✓ Very broad range of products
- ✓ Any size
- ✓ Right solution
- ✓ Flexible in Design





# INTERTEC's experience and portfolio

- ✓ Very broad range of products
- ✓ Any size
- ✓ Right solution
- ✓ Flexible in Design
- ✓ Customized Sizes and Shapes



# INTERTEC's experience and portfolio

- ✓ Very broad range of products
- ✓ Any size
- ✓ Right solution
- ✓ Flexible in Design
- ✓ Customized Sizes and Shapes
- ✓ Precise construction



# INTERTEC's experience and portfolio

- ✓ Very broad range of products
- ✓ Any size
- ✓ Right solution
- ✓ Flexible in Design
- ✓ Customized Sizes and Shapes
- ✓ Precise construction
- ✓ Field proven designs



# INTERTEC's experience and portfolio

- ✓ Very broad range of products
- ✓ Any size
- ✓ Right solution
- ✓ Flexible in Design
- ✓ Customized Sizes and Shapes
- ✓ Precise construction
- ✓ Field proven designs
- ✓ Right stile



# INTERTEC's experience and portfolio

- ✓ Very broad range of products
- ✓ Any size
- ✓ Right solution
- ✓ Flexible in Design
- ✓ Customized Sizes and Shapes
- ✓ Precise construction
- ✓ Field proven designs
- ✓ Right stile
- ✓ Precise drilled connections made by CNC machine





# INTERTEC's experience and portfolio

- ✓ Very broad range of products
- ✓ Any size
- ✓ Right solution
- ✓ Flexible in Design
- ✓ Customized Sizes and Shapes
- ✓ Precise construction
- ✓ Field proven designs
- ✓ Right stile
- ✓ Precise drilled connections -  
made by CNC machine
- ✓ Accessories for instrumentation  
installation



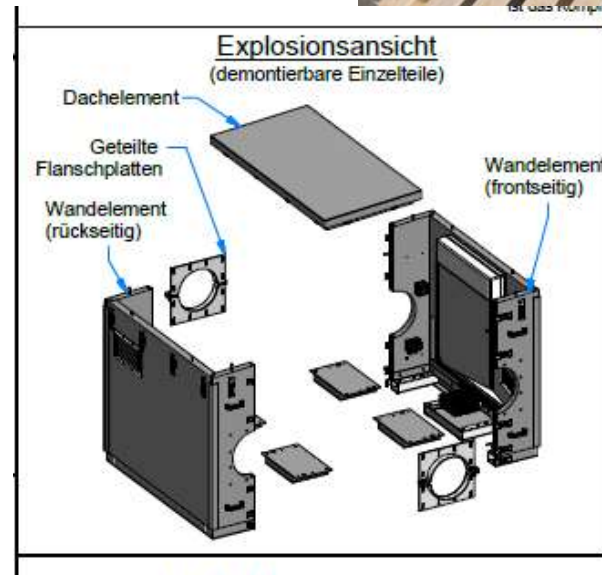
# INTERTEC's experience and portfolio

- ✓ Very broad range of products
- ✓ Any size
- ✓ Right solution
- ✓ Flexible in Design
- ✓ Customized Sizes and Shapes
- ✓ Precise construction
- ✓ Field proven designs
- ✓ Right stile
- ✓ Precise drilled connections -  
made by CNC machine
- ✓ Accessories for instrumentation  
installation
- ✓ Customized cladding



# INTERTEC's experience and portfolio

- ✓ Very broad range of products
- ✓ Any size
- ✓ Right solution
- ✓ Flexible in Design
- ✓ Customized Sizes and Shapes
- ✓ Precise construction
- ✓ Field proven designs
- ✓ Right stile
- ✓ Precise drilled connections - made by CNC machine
- ✓ Accessories for instrumentation installation
- ✓ Customized cladding
- ✓ Experienced engineers



# INTERTEC's experience and portfolio

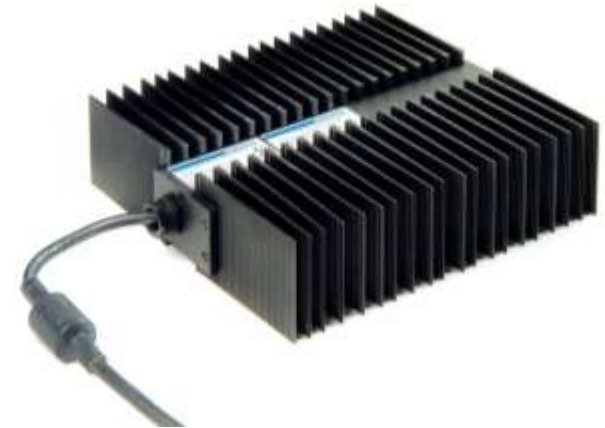
- ✓ Very broad range of products
- ✓ Any size
- ✓ Right solution
- ✓ Flexible in Design
- ✓ Customized Sizes and Shapes
- ✓ Precise construction
- ✓ Field proven designs
- ✓ Right stile
- ✓ Precise drilled connections -  
made by CNC machine
- ✓ Accessories for instrumentation  
installation
- ✓ Customized cladding
- ✓ Experienced engineers
- ✓ No thermal shortcuts





# INTERTEC's experience and portfolio

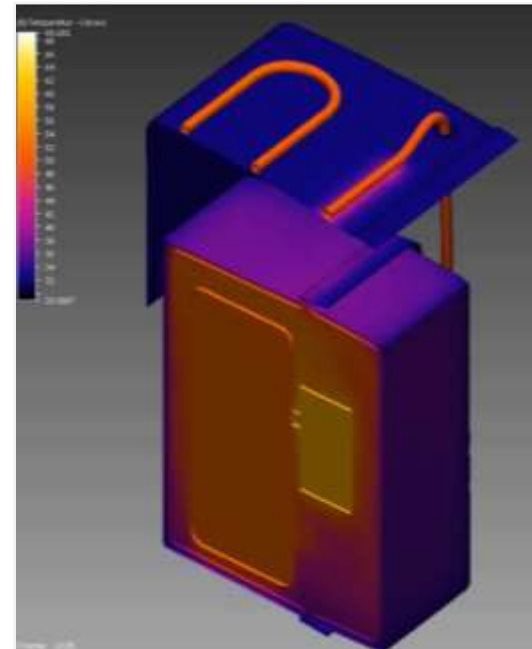
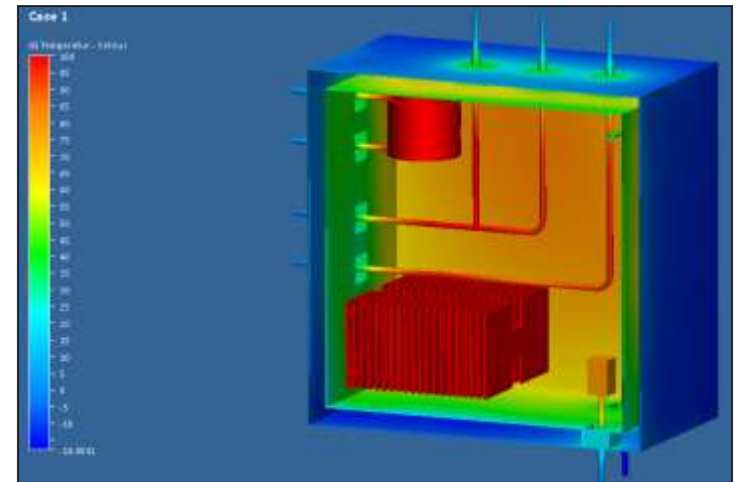
- ✓ Very broad range of products
- ✓ Any size
- ✓ Right solution
- ✓ Flexible in Design
- ✓ Customized Sizes and Shapes
- ✓ Precise construction
- ✓ Field proven designs
- ✓ Right stile
- ✓ Precise drilled connections - made by CNC machine
- ✓ Accessories for instrumentation installation
- ✓ Customized cladding
- ✓ Experienced engineers
- ✓ No thermal shortcuts
- ✓ Large heater portfolio – many stiles, sizes, and certifications





# INTERTEC's experience and portfolio

- ✓ Very broad range of products
- ✓ Any size
- ✓ Right solution
- ✓ Flexible in Design
- ✓ Customized Sizes and Shapes
- ✓ Precise construction
- ✓ Field proven designs
- ✓ Right stile
- ✓ Precise drilled connections - made by CNC machine
- ✓ Accessories for instrumentation installation
- ✓ Customized cladding
- ✓ Experienced engineers
- ✓ No thermal shortcuts
- ✓ Large heater portfolio – many stiles, sizes, and certifications
- ✓ Specialized in Temperature Control



# Products – Intertec Portfolio

## Standard Materials - MULTIBOX



# Products – Intertec Portfolio

## Cabinets & Shelters



### **General Specification:**

- Wall panels and doors made of GRP/PU-foam sandwich panels
- Roofs in GRP with PU
- Floors according requirements
- IP65 Single door
- IP54 double door
- Hardware in SS (316L)
- Different styles of door locking available
- Accessories



# Products – Intertec Portfolio

## Cabinets & Shelters

### Accessories & Options

- Windows
- All styles doors
- Door locking devices (panic bar,...)
- Special colors
- 19" racks
- Swing frame racks
- Mount plates and rails
- Antistatic



# Products – Intertec Portfolio

## BASIC CABINET





# Products – Intertec Portfolio

## ARTIC CABINET & SHELTER



**INTERTEC Instrumentation Inc.**

***"THINKING INSIDE THE BOX"***

# Enclosure Applications / Functions:

- Safe Link;



# Enclosure Applications / Functions:

- Safe Link;
- Hot Box;



# Enclosure Applications / Functions:

- Safe Link;
- Hot Box;
- Passive Cooler;



# Enclosure Applications / Functions:

- Safe Link;
- Hot Box;
- Passive Cooler;
- Traffic;





# Enclosure Applications / Functions

- Safe Link;
- Hot Box;
- Passive Cooler;
- Traffic;
- Fire Shelter;



# Enclosure Applications / Functions:

- Safe Link;
- Hot Box;
- Passive Cooler;
- Traffic;
- Fire Shelter;
- Frangible Shelter;



# Enclosure Applications / Functions:

- Safe Link;
- Hot Box;
- Passive Cooler;
- Traffic;
- Fire Shelter;
- Frangible Shelter;
- Long Life Cycle;



# Enclosure Applications / Functions:

- Safe Link;
- Hot Box;
- Passive Cooler;
- Traffic;
- Fire Shelter;
- Frangible Shelter;
- Long Life Cycle;
- ...

