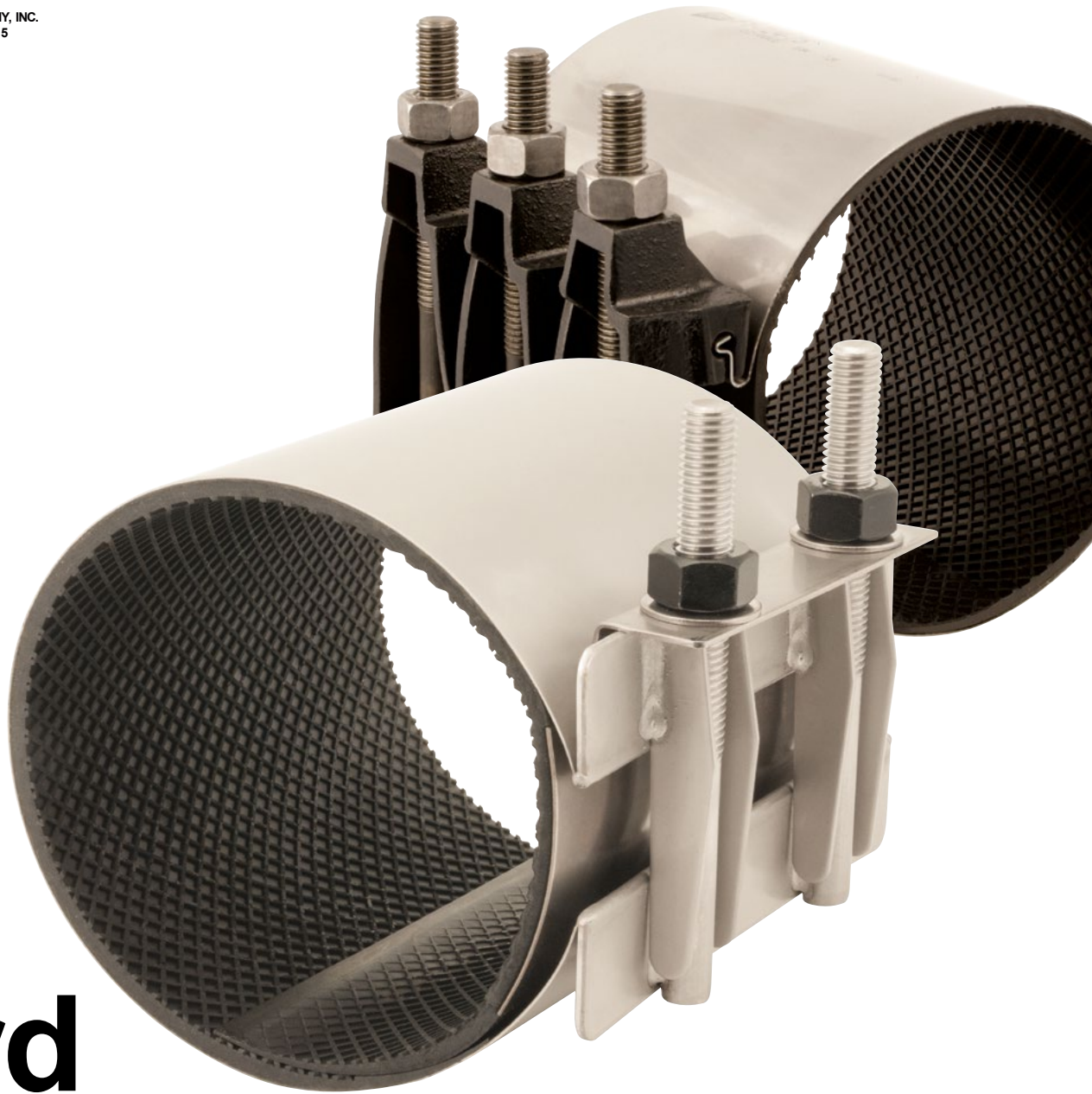




THE FORD METER BOX COMPANY, INC.  
CERTIFIED TO ISO 9001:2015  
10004466

# Section L

09/2017



# Ford Pipe Repair Products



# Contents

Typical Problems Solved with Ford Repair Clamps.....	3
Hydrostatic Test Pressures .....	3
Specifications for FS Repair Clamps.....	4
Specifications for F Repair Clamps.....	5
All Stainless Steel FS1 Repair Clamps.....	6
All Stainless Steel FS2 Repair Clamps.....	7
All Stainless Steel FS3 Repair Clamps.....	7
All Stainless Steel FSP1 Repair Clamps for HDPE Pipe.....	8
All Stainless Steel FSP2 Repair Clamps for HDPE Pipe.....	9
All Stainless Steel FSP3 Repair Clamps for HDPE Pipe.....	9
All Stainless Steel FLS1 Drop-In Bolt Design Repair Clamps.....	10
All Stainless Steel FLS2 Drop-In Bolt Design Repair Clamps.....	11
All Stainless Steel FLS3 Drop-In Bolt Design Repair Clamps.....	11
Fordflex F1 Repair Clamps .....	12
Fordflex F2 Repair Clamps .....	13
Fordflex F3 Repair Clamps .....	13
Fordflex FP1 Repair Clamps for HDPE Pipe.....	14
Fordflex FP2 Repair Clamps for HDPE Pipe.....	15
Fordflex FP3 Repair Clamps for HDPE Pipe.....	15
FSC Snap Clamps.....	16
FSC Wrap Clamps.....	16
FSC Dual-Armor Wrap Clamps .....	17
All Stainless Steel FLSC Snap Clamps.....	17
All Stainless Steel FLSC Wrap Clamps.....	18
All Stainless Steel FLSC Dual-Armor Wrap Clamps .....	18
FSC1 Wrap Clamps and Dual-Armor Wrap Clamps with Finger Lugs.....	19
FCC Repair Clamps for Solvent Weld PVC Couplings .....	20
FIBC Repair Clamps for Integral Bell Solvent Weld PVC .....	20
FBC Bell Joint Leak Clamps .....	21
Bolt Extension Kit for Bell Joint Leak Clamps.....	21
FACC Abandoned Corp Caps .....	22
Application Information for HDPE.....	23
FSEK Emergency Repair Clamp Kit .....	24
O.D. Chart .....	25
Warranty.....	28

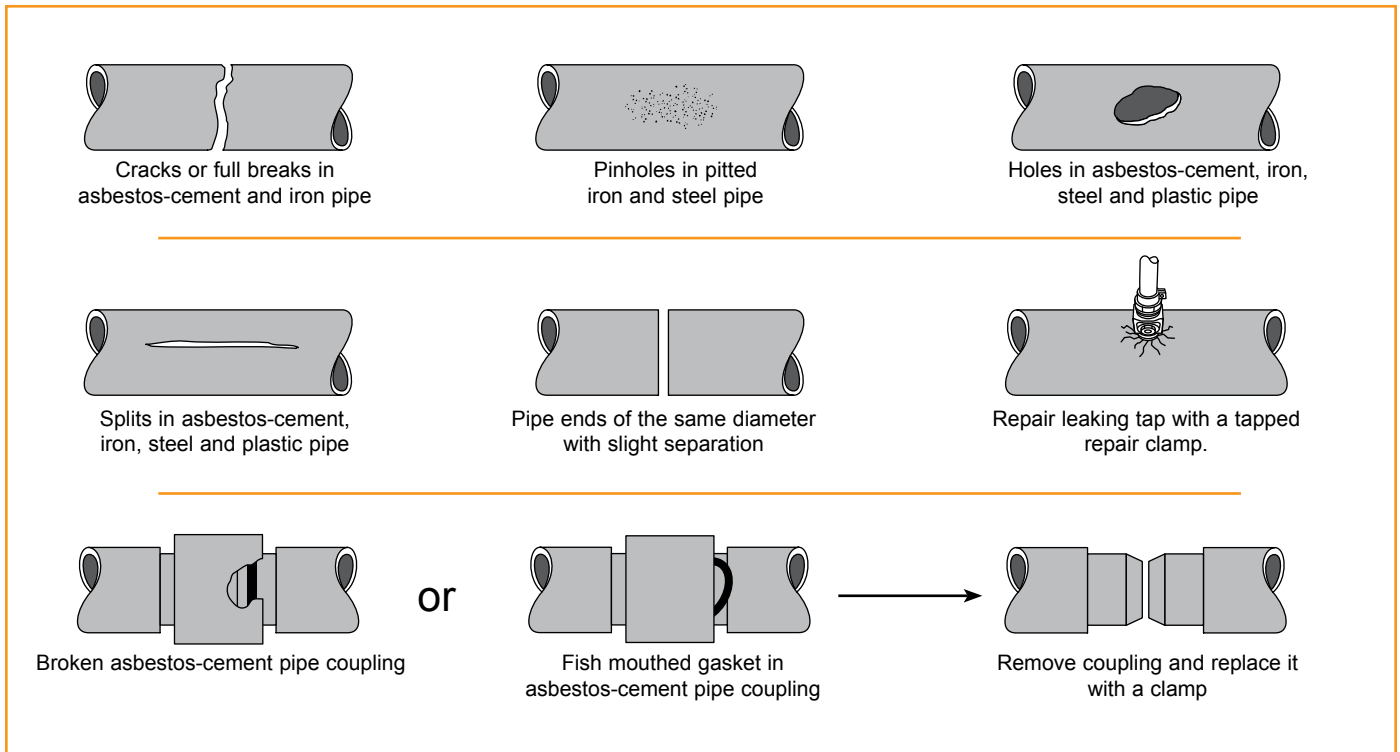
TYPE OF CLAMP		CLAMP LENGTH	
<b>F1</b>	= Single Band Stainless Steel Clamp with Ductile Iron Lugs	<b>3</b>	= 3" (FSC(1), FSC-R(2) and FLSC only)
<b>F2</b>	= Double Band Stainless Steel Clamp with Ductile Iron Lugs	<b>6</b>	= 6" (FSC(1), FSC-R(2) and FLSC)
<b>F2W</b>	= Special Range Double Band Stainless Steel Clamp with Ductile Iron Lugs	<b>75</b>	= 7-1/2"
<b>F3</b>	= Triple Band Stainless Steel Clamp with Ductile Iron Lugs	<b>9</b>	= 9" (FSC and FLSC only)
<b>FLS1</b>	= Single Band Stainless Steel Repair Clamps with Drop-In Bolts	<b>10</b>	= 10"
<b>FLS2</b>	= Double Band Stainless Steel Repair Clamps with Drop-In Bolts	<b>12</b>	= 12" (FSC and FLSC only)
<b>FLS3</b>	= Triple Band Stainless Steel Repair Clamps with Drop-In Bolts	<b>125</b>	= 12-1/2"
<b>FP1</b>	= Single Band Stainless Steel Clamp with Ductile Iron Lugs for HDPE Pipe	<b>15</b>	= 15"
<b>FP2</b>	= Double Band Stainless Steel Clamp with Ductile Iron Lugs for HDPE Pipe	<b>20</b>	= 20"
<b>FP3</b>	= Triple Band Stainless Steel Clamp with Ductile Iron Lugs for HDPE Pipe	<b>24</b>	= 24" (FS Style)
<b>FS1</b>	= Single Band All Stainless Steel Clamp	<b>25</b>	= 25" (F Style)
<b>FS2</b>	= Double Band All Stainless Steel Clamp	<b>30</b>	= 30"
<b>FS3</b>	= Triple Band All Stainless Steel Clamp	<b>35</b>	= 35" (F Style)
<b>FSC1</b>	= Wrap Clamp with Finger Lugs	<b>36</b>	= 36" (FS Style)
<b>FSP1</b>	= Single Band All Stainless Steel Clamp for HDPE Pipe		
<b>FSP2</b>	= Double Band All Stainless Steel Clamp for HDPE Pipe		
<b>FSP3</b>	= Triple Band All Stainless Steel Clamp for HDPE Pipe		
<b>FACC</b>	= Abandoned Corp Cap		
<b>FSC</b>	= Snap or Wrap Clamp		
<b>FLSC</b>	= All Stainless Steel Snap or Wrap Clamp		
<b>FCC</b>	= Repair Clamp for Coupling Solvent Weld PVC		
<b>FBC</b>	= Bell Joint Leak Clamp		
<b>FIBC</b>	= Repair Clamp for Integral Bell Solvent Weld PVC		

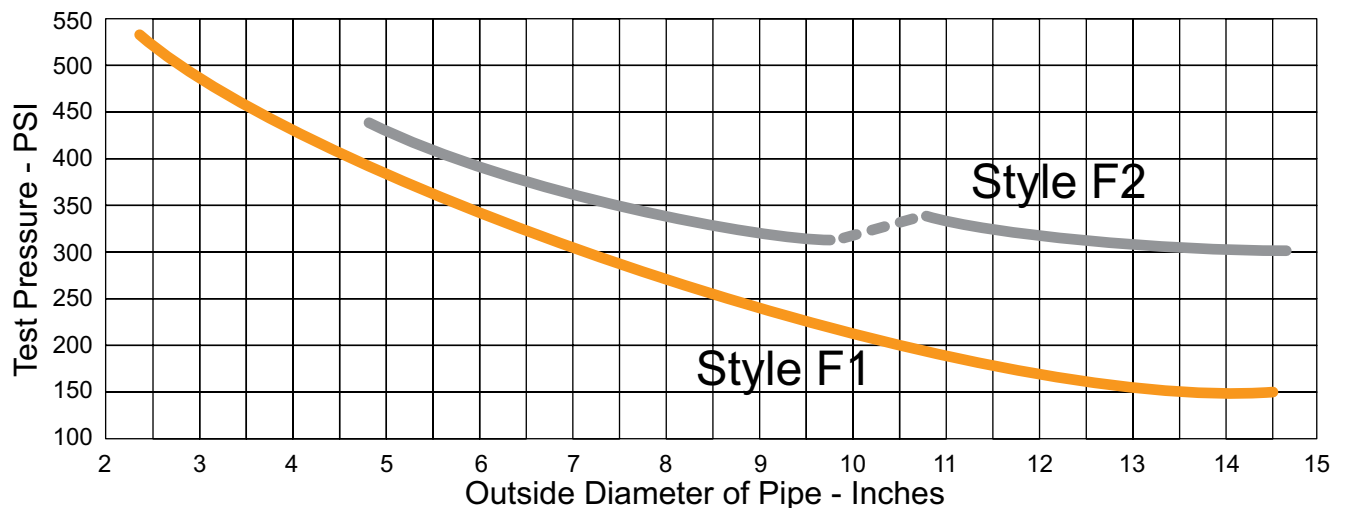
**F S 1 - 9 3 9 - 1 5 - C C 4**

<p><b>O.D. SIZE</b></p> <p>For most clamp styles, the O.D. size number indicates the top end of the range. Use listed catalog sizes.</p>	<p><b>OPTIONAL FEATURES</b></p> <p><b>A</b> = Long Starter Bolt</p> <p><b>CC3</b> = 3/4" AWWA Tapped Thread</p> <p><b>CC4</b> = 1" AWWA Tapped Thread</p> <p><b>CC5</b> = 1-1/4" AWWA Tapped Thread</p> <p><b>CC6</b> = 1-1/2" AWWA Tapped Thread</p> <p><b>CC7</b> = 2" AWWA Tapped Thread</p> <p><b>CS</b> = Conductivity Strips</p> <p><b>EPDM</b> = EPDM Rubber Gasket</p> <p><b>E3</b> = E-Coated Lugs</p> <p><b>IP3</b> = 3/4" Iron Pipe Tapped Thread</p> <p><b>IP4</b> = 1" Iron Pipe Tapped Thread</p>	<p><b>OPTIONAL FEATURES</b></p> <p><b>IP5</b> = 1-1/4" Iron Pipe Tapped Thread</p> <p><b>IP6</b> = 1-1/2" Iron Pipe Tapped Thread</p> <p><b>IP7</b> = 2" Iron Pipe Tapped Thread</p> <p><b>N</b> = Buna-N Rubber Gasket</p> <p><b>OS1</b> = 1" offset gasket for overlapping clamps for extended lengths</p> <p><b>Q</b> = 316 Stainless Steel (FS style)</p> <p><b>R</b> = Wrap Clamp, features a 360° gasket (for FSC style clamp)</p> <p><b>R2</b> = Dual-Armor Wrap Clamp with EPDM gasket (less dimples)</p> <p><b>SH</b> = Stainless Steel Nuts &amp; Bolts (for ductile lug clamps)</p>
--	---	--

# Typical Problems Solved With Ford Repair Clamps



## Hydrostatic Test Pressures – Average



### Conditions of Test

- Test Pipe: asbestos-cement, cast iron or steel
- Two pieces of test pipe with average space of 1/8" between ends, coupled together with 7-1/2" wide clamp
- 5/8" bolts (clamps up through 4.73" O.D.) tightened to a torque of 30-35 ft. lbs., 5/8" bolts (clamps over 4.73" O.D.) to 70-80 ft. lbs., and 3/4" bolts to 90-100 ft. lbs.
- **As supported in AWWA C230, repair clamp service performance is installation and application sensitive. Each installation may involve a particular set of conditions that could provide or prevent suitable results.**

### Standards and Classifications:

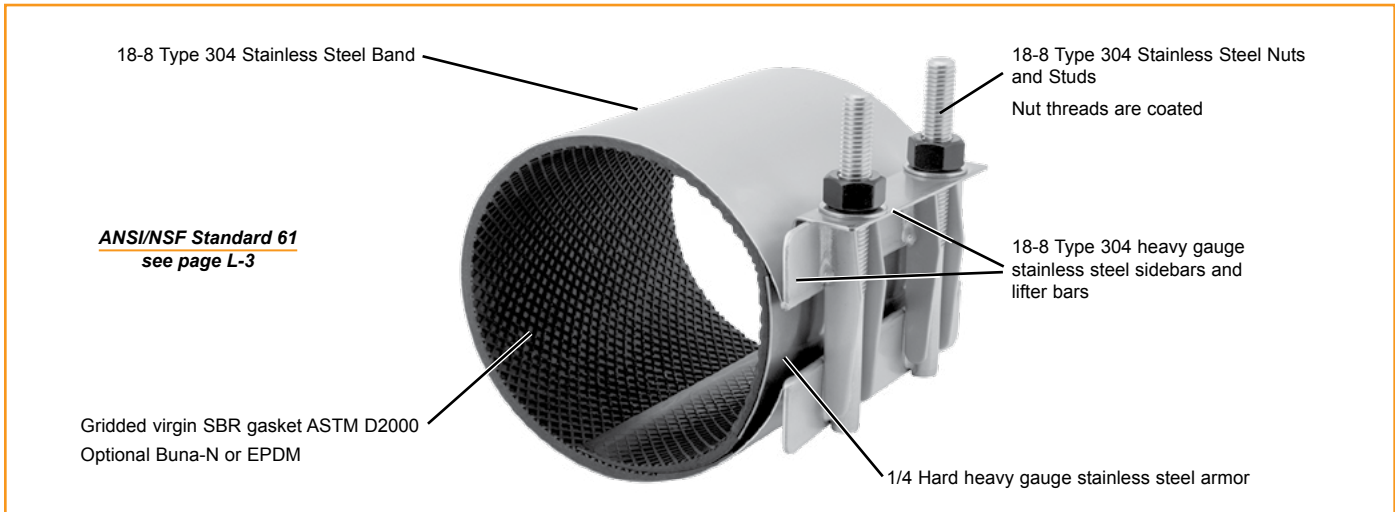
The Ford F, FS and FLS Series clamps are listed by Underwriters Laboratories as satisfying the requirements of NSF61. The 2" - 12" sizes of the F and FS clamps satisfy AWWA C230.

# Specifications

## Ford All Stainless Steel Repair Clamps

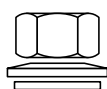
The Ford FS Style All Stainless Steel Repair Clamp combines the corrosion-resistant characteristics of stainless steel and the sealing capabilities of rubber to provide a strong, dependable and versatile repair clamp.

The all stainless design is lightweight and easy to handle under adverse conditions associated with almost every main break. The fixed position of the studs provides uniform control and fewer parts to fall into the trench. The sliding lifter bar is retained on the studs by the heavy hex nuts and facilitates the installation by serving as a handle while installing the clamp. Bi-directionally tapered lugs allow the lifter bar to easily slide into locking position on the sidebar.

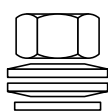


### Specifications:

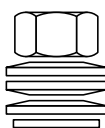
- Band:** 18-8 Type 304 stainless steel.
- Studs and Heavy Hex Nuts:** 18-8 Type 304 stainless steel. Coated nut threads to prevent galling. Studs are permanently attached to the clamp sidebar by means of a Metal Inert Gas (MIG) weld.
- Lugs:** 18-8 Type 304 heavy gauge stainless steel, MIG welded to clamp sidebar. Lugs are rounded and tapered for easy installation.
- Sidebars:** 18-8 Type 304 heavy gauge stainless steel Tungsten Inert Gas (TIG) welded to form a strong, permanent fusion with the repair clamp band.
- Lifter Bar:** 18-8 Type 304 heavy gauge stainless steel. Lip curve holds bolts in position while tightening and serves as a bearing surface for stainless steel nuts and washers.
- Gasket:** Gridded virgin Styrene Butadiene Rubber (SBR) compounded for water service, ASTM D2000. Gasket ends are tapered for a dependable seal. SBR is suitable for temperatures of 150°F continuous, 180°F intermittent. An optional Buna-N, nitrile gasket is recommended for 220°F continuous and/or 240°F intermittent.
- Armor:** 1/4 hard heavy gauge stainless steel vulcanized and recessed into the gasket to ensure uniform compression against the pipe.
- Passivated:** All clamps are fully passivated by means of a chemical technique which restores the corrosion resistant characteristics of the stainless steel.
- Options Include:**
- Conductivity strips
  - Buna-N gasket (suitable for natural gas applications)
  - EPDM gasket
  - 316 stainless steel
  - 1" offset gasket for overlapping clamps for extended lengths
- Belleville Washers for use on HDPE:** Belleville washers, also referred to as spring washers, promote constant force on the gasket as the pipe diameter expands and contracts. The Belleville washers are made of 17-7 PH stainless steel. Depending on the pipe size and recommended installation torque, Belleville washers are used singularly, or in a stack to allow for more expansion/contraction of the pipe.



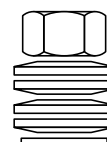
1 Washer Stack



2 Washer Stack



3 Washer Stack



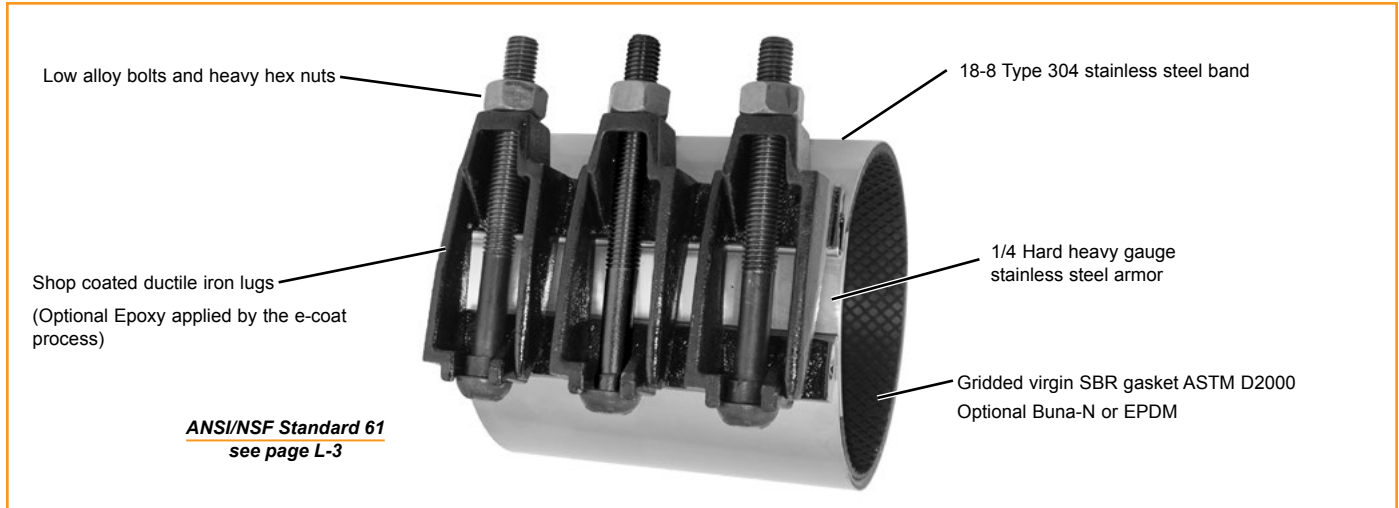
4 Washer Stack

# Specifications

## Ford Repair Clamps

The **Ford F Style Repair Clamps** provide a simple and economical method of repairing holes or breaks in water mains, particularly where corrosion is not a factor. Ford clamps offer heavy-duty lug construction for maximum strength and a drop-in bolt design that does not require bolt removal when installing the clamp. There are never any loose parts to lose in the ditch.

Ford Repair Clamps come in a wide variety of styles and cover a wide range of pipe diameters; other features of Ford Repair Clamps are shown below.



### Specifications:

**Band:** 18-8 Type 304 stainless steel.

#### Bolts and Heavy

**Hex Nuts:** Low alloy per ASTM A242 and AWWA C111.

**Lugs:** Ductile iron ASTM A536. Lugs can be temporarily removed to assist installation in tight spaces.

**Gasket:** Gridded virgin Styrene Butadiene Rubber (SBR) compounded for water service ASTM D2000. Gasket ends are tapered for a dependable seal. SBR is suitable for temperatures of 150°F continuous, 180°F intermittent. An optional Buna-N, nitrile gasket is recommended for 220°F continuous and/or 240°F intermittent.

**Armor:** 1/4 hard heavy gauge stainless steel vulcanized and recessed in the gasket to ensure uniform compression against the pipe.

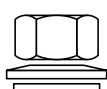
**Finish:** Shop coat.

#### Options

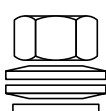
**Include:**

- Stainless steel nuts and bolts
- Conductivity strips
- Buna-N gasket (suitable for natural gas applications)
- EPDM gasket
- E-Coated lugs
- Starter bolt
- 1" offset gasket for overlapping clamps for extended lengths

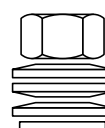
**Belleville Washers for use on HDPE:** Belleville washers, also referred to as spring washers, promote constant force on the gasket as the pipe diameter expands and contracts. The Belleville washers are made of 17-7 PH stainless steel. Depending on the pipe size and recommended installation torque, Belleville washers are used singularly, or in a stack to allow for more expansion/contraction of the pipe.



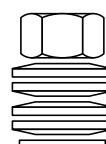
1 Washer Stack



2 Washer Stack



3 Washer Stack



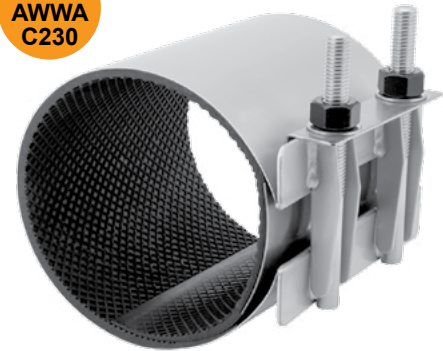
4 Washer Stack

# Ford All Stainless Steel Repair Clamps

## Style FS1 (single section) Operating Range .40" (5.14" and larger)

ANSI/NSF Standard 61  
see page L-3

MEETS  
AWWA  
C230



**To order:** Specify catalog number x length of clamp desired.

**Example:** FS1-724-12.5 would be a single section clamp for pipe with an O.D. of between 6.84 and 7.24, and the length of the clamp would be 12.5".

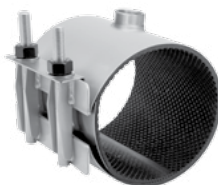
**Options Include:** Buna-N Gasket - add "-N" to catalog number  
EPDM Gasket - add "-EPDM" to catalog number  
Conductivity Strips - add "-CS" to catalog number  
316 Stainless Steel - add "-Q" to catalog number

**Note:** Sizes and lengths not listed (including metric) are available upon request. Contact the Ford Meter Box Customer Service Department for information.

NOM. PIPE SIZE	PIPE O.D. RANGE	CATALOG NUMBER	LENGTH AND APPROXIMATE SHIPPING WEIGHT LBS.							
			6"	7.5"	10"	12.5"	15"	20"	24"	30"
2"	1.96-2.15	FS1-215-Length	4 Lbs.	4 Lbs.	5 Lbs.	5 Lbs.	N/A			
	2.05-2.25	FS1-225-Length	4	4	5	5	N/A	N/A	N/A	N/A
	2.35-2.63	FS1-263-Length	4	4	5	5	7			
2-1/4"x2-1/2"	2.70-3.00	FS1-300-Length	4	5	5	6	8	N/A	N/A	N/A
3"	2.97-3.25	FS1-325-Length								
	3.46-3.70	FS1-370-Length	4	5	5	6	9	N/A	N/A	N/A
	3.73-4.00	FS1-400-Length								
3"- 4"	3.96-4.25	FS1-425-Length	5	5	6	7	9	N/A	N/A	N/A
	4.45-4.73	FS1-473-Length								
4"	4.50-4.80	FS1-480-Length								
	4.74-5.14	FS1-514-Length	5	6	7	8	10	14	16	21
	4.95-5.35	FS1-535-Length								
	5.22-5.62	FS1-562-Length								
6"	5.95-6.35	FS1-635-Length								
	6.56-6.96	FS1-696-Length								
	6.84-7.24	FS1-724-Length	N/A	7	9	10	14	17	21	27
	7.05-7.45	FS1-745-Length								
8"	7.45-7.85	FS1-785-Length								
	7.95-8.35	FS1-835-Length								
	8.54-8.94	FS1-894-Length	N/A	8	10	11	15	19	24	30
	8.99-9.39	FS1-939-Length								
10"	9.27-9.67	FS1-967-Length								
	9.70-10.10	FS1-1010-Length								
	10.60-11.04	FS1-1104-Length	N/A	11	14	16	24	28	32	42
	11.04-11.44	FS1-1144-Length								
12"	11.34-11.74	FS1-1174-Length								
	11.75-12.15	FS1-1215-Length								
	12.00-12.40	FS1-1240-Length								
	12.60-13.02	FS1-1302-Length	N/A	13	16	18	27	30	36	48
	13.10-13.50	FS1-1350-Length								
	13.40-13.80	FS1-1380-Length								
	13.70-14.10	FS1-1410-Length								
	14.00-14.40	FS1-1440-Length								
NUMBER OF STUDS			2	2	3	3-4*	4	6	7	9

\*12.5" long clamps in the 10" and 12" nominal pipe size have 4 studs.

## Tapped Repair Clamps



### Tapping Codes

CC (AWWA) THREAD		MIN. CLAMP SIZE		IP THREAD		MIN. CLAMP SIZE	
SIZE	CODE NUMBER	FS1	FS2	SIZE	CODE NUMBER	FS1	FS2
3/4"	CC3	2.63	5.24	3/4"	IP3	2.63	5.24
1"	CC4	2.63	5.24	1"	IP4	2.63	5.24
1-1/4"	*CC5	3.70	5.24	1-1/4"	*IP5	3.70	5.24
1-1/2"	CC6	4.25	5.24	1-1/2"	IP6	3.70	5.24
2"	CC7	4.73	5.57	2"	IP7	4.25	5.57

\* Contact factory for availability

**OUTLET TAPS** for corporation stops are available on Ford All Stainless Steel Clamps. The minimum clamp size for each tap type and size is listed in the tapping code table above. The tapped outlet is 18-8 Type 304 stainless steel and is "fused" to the clamp band by a fully passivated TIG weld.

**To Order:** 1. Select the proper code from table to match desired size and type of thread.  
2. Add code to catalog number of repair clamp.

Example: The number for an FS1-724-12.5 with a 3/4" CC tap is FS1-724-125-CC3.

# Ford All Stainless Steel Repair Clamps

ANSI/NSF Standard 61  
see page L-3



## Style FS2 (double section) Operating Range .80" (4"-12")



**To order:** Specify catalog number x length of clamp desired.

**Example:** FS2-764-10 would be a double section clamp for pipe with an O.D. of between 6.84 and 7.64, and the length of the clamp would be 10".

**Options Include:** Buna-N Gasket - add "-N" to catalog number  
EPDM Gasket - add "-EPDM" to catalog number  
Conductivity Strips (FS2-979 and larger) - add "-CS" to catalog number  
316 Stainless Steel - add "-Q" to catalog number

**Note:** Sizes and lengths not listed (including metric) are available upon request. Contact the Ford Meter Box Customer Service Department for information.

NOM. PIPE SIZE	PIPE O.D. RANGE	CATALOG NUMBER	LENGTH AND APPROXIMATE SHIPPING WEIGHT LBS.						
			7.5"	10"	12.5"	15"	20"	24"	30"
4"	4.44-5.24 4.74-5.57	FS2-524-Length FS2-557-Length	11 Lbs.	14 Lbs.	18 Lbs.	26 Lbs.	32 Lbs.	38 Lbs.	N/A
6"	6.62-7.42 6.84-7.64	FS2-742-Length FS2-764-Length	12	15	19	28	35	42	45
8"	8.62-9.42 8.99-9.79	FS2-942-Length FS2-979-Length	13	17	21	30	38	46	51
10"	10.70-11.50 11.04-11.84 11.60-12.40	FS2-1150-Length FS2-1184-Length FS2-1240-Length	N/A	18	23	32	41	50	54
12"	12.70-13.50 13.14-13.94 13.65-14.45	FS2-1350-Length FS2-1394-Length FS2-1445-Length	N/A	19	25	34	44	54	57
14"	15.07-15.82	FS2-1582-Length	N/A	20	27	36	47	58	63
16"	17.15-17.90	FS2-1790-Length	N/A	22	29	38	50	62	66
NUMBER OF STUDS			4	6	6-8*	8	12	14	18

\* 12.5" long clamps in the 10" thru 16" nominal pipe size have 8 studs.

## Style FS3 (triple section) Operating Range 1.20"

**To order:** Specify catalog number x length of clamp desired.

**Example:** FS3-1920-24 would be a triple section clamp for pipe with an O.D. between 18.00 and 19.20, and the length of the clamp would be 24".

**Options Include:** Buna-N Gasket - add "-N" to catalog number  
EPDM Gasket - add "-EPDM" to catalog number  
Conductivity Strips - add "-CS" to catalog number  
316 Stainless Steel - add "-Q" to catalog number

**Note:** Sizes and lengths not listed (including metric) are available upon request. Contact the Ford Meter Box Customer Service Department for information.



NOM. PIPE SIZE	PIPE O.D. RANGE	CATALOG NUMBER	LENGTH AND APPROXIMATE SHIPPING WEIGHT LBS.				
			12.5"	15"	20"	24"	30"
16"	17.10-18.30	FS3-1830-Length	31 Lbs.	40 Lbs.	52 Lbs.	64 Lbs.	77 Lbs.
18"	18.00-19.20 19.50-20.70	FS3-1920-Length FS3-2070-Length	35	44	56	68	84
20"	21.60-22.80	FS3-2280-Length	41	48	60	73	89
24"	25.80-27.00	FS3-2700-Length	46	53	65	79	102
30"	29.62-30.82 31.70-32.90	FS3-3082-Length FS3-3290-Length	50	62	83	88	130
NUMBER OF STUDS			12	12	18	21	27

# Ford All Stainless Steel Repair Clamps For HDPE Pipe

ANSI/NSF Standard 61  
see page L-3

## Style FSP1 for HDPE Pipe (single section)

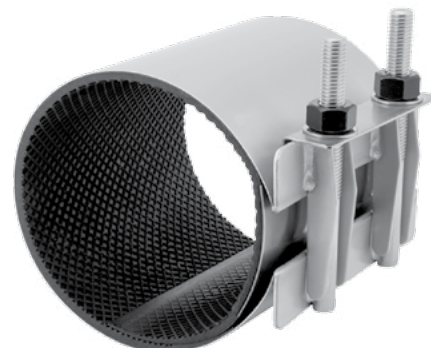
**To order:** Specify catalog number x length of clamp desired.

**Example:** FSP1-690-125 would be a single section clamp for pipe with an O.D. of 6.90, and the length of the clamp would be 12.5".

**Options Include:** Buna-N Gasket - add "-N" to catalog number  
EPDM Gasket - add "-EPDM" to catalog number  
Conductivity Strips - add "-CS" to catalog number  
316 Stainless Steel - add "-Q" to catalog number

**Belleville Washers:** Belleville washers are used to allow for expansion and contraction of HDPE pipe. Belleville washers are made of 17-7 PH stainless steel.

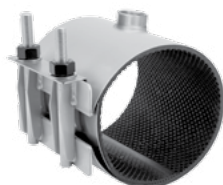
For HDPE application information see page L-23.



NOM. PIPE SIZE	PIPE O.D. RANGE	CATALOG NUMBER	LENGTH AND APPROXIMATE SHIPPING WEIGHT LBS.							
			6"	7.5"	10"	12.5"	15"	20"	24"	30"
2"	2.38	FSP1-238-Length	4 Lbs.	4 Lbs.	5 Lbs.	5 Lbs.	N/A	N/A	N/A	N/A
	2.50	FSP1-250-Length	4	4	5	5	7	N/A	N/A	N/A
2-1/4"x2-1/2"	2.88	FSP1-288-Length	4	5	5	6	8	N/A	N/A	N/A
3"	3.50	FSP1-350-Length	4	5	5	6	9	N/A	N/A	N/A
	3.80	FSP1-380-Length								
4"	4.50	FSP1-450-Length	5	6	7	8	10	14	16	21
	4.80	FSP1-480-Length								
6"	6.63	FSP1-663-Length	N/A	7	9	10	14	17	21	27
	6.90	FSP1-690-Length								
8"	8.63	FSP1-863-Length	N/A	8	10	11	15	19	24	30
	9.05	FSP1-905-Length								
10"	10.75	FSP1-1075-Length	N/A	11	14	16	24	28	32	42
	11.10	FSP1-1110-Length								
12"	12.75	FSP1-1275-Length	N/A	13	16	18	27	30	36	48
	13.20	FSP1-1320-Length								
NUMBER OF STUDS			2	2	3	3-4*	4	6	7	9

\*12.5" long clamps in the 10" and 12" nominal pipe size have 4 studs.

## Tapped Repair Clamps



### Tapping Codes

CC (AWWA) THREAD				IP THREAD			
SIZE	CODE NUMBER	MIN. CLAMP SIZE		SIZE	CODE NUMBER	MIN. CLAMP SIZE	
		FSP1	FSP2			FSP1	FSP2
3/4"	CC3	2.63	5.24	3/4"	IP3	2.63	5.24
1"	CC4	2.63	5.24	1"	IP4	2.63	5.24
1-1/4"	*CC5	3.70	5.24	1-1/4"	*IP5	3.70	5.24
1-1/2"	CC6	4.25	5.24	1-1/2"	IP6	3.70	5.24
2"	CC7	4.73	5.57	2"	IP7	4.25	5.57

\* Contact factory for availability

**OUTLET TAPS** for corporation stops are available on Ford All Stainless Steel Clamps. The minimum clamp size for each tap type and size is listed in the tapping code table above. The tapped outlet is 18-8 Type 304 stainless steel and is "fused" to the clamp band by a fully passivated TIG weld.

**To Order:** 1. Select the proper code from table to match desired size and type of thread.

2. Add code to catalog number of repair clamp.

Example: The number for an FSP1-663-125 with a 3/4" CC tap is FSP1-663-125-CC3.



# Ford All Stainless Steel Repair Clamps For HDPE Pipe

ANSI/NSF Standard 61  
see page L-3



## Style FSP2 for HDPE Pipe (double section)

**To order:** Specify catalog number x length of clamp desired.

**Example:** FSP2-690-10 would be a double section clamp for pipe with an O.D. of 6.90, and the length of the clamp would be 10".

**Options Include:** Buna-N Gasket - add "-N" to catalog number  
EPDM Gasket - add "-EPDM" to catalog number  
Conductivity Strips (FSP2-1075 and larger) - add "-CS" to catalog number  
316 Stainless Steel - add "-Q" to catalog number

**Belleville Washers:** Belleville washers are used to allow for expansion and contraction of HDPE pipe. Belleville washers are made of 17-7 PH stainless steel.

For HDPE application information see page L-23.

NOM. PIPE SIZE	PIPE O.D. RANGE	CATALOG NUMBER	LENGTH AND APPROXIMATE SHIPPING WEIGHT LBS.						
			7.5"	10"	12.5"	15"	20"	24"	30"
4"	4.50	FSP2-450-Length	11 Lbs.	14 Lbs.	18 Lbs.	26 Lbs.	32 Lbs.	38 Lbs.	N/A
	4.80	FSP2-480-Length							
6"	6.63	FSP2-663-Length	12	15	19	28	35	42	45
	6.90	FSP2-690-Length							
8"	8.63	FSP2-863-Length	13	17	21	30	38	46	51
	9.05	FSP2-905-Length							
10"	10.75	FSP2-1075-Length	N/A	18	23	32	41	50	54
	11.10	FSP2-1110-Length							
12"	12.75	FSP2-1275-Length	N/A	19	25	34	44	54	57
	13.20	FSP2-1320-Length							
14"	14.00	FSP2-1400-Length	N/A	20	27	36	47	58	63
	15.30	FSP2-1530-Length							
16"	17.40	FSP2-1740-Length	N/A	22	29	38	50	62	66
NUMBER OF STUDS			4	6	6-8*	8	12	14	18

\* 12.5" long clamps in the 10" thru 16" nominal pipe size have 8 studs.

## Style FSP3 for HDPE Pipe (triple section)

**To order:** Specify catalog number x length of clamp desired.

**Example:** FSP3-1950-24 would be a triple section clamp for pipe with an O.D. of 19.50, and the length of the clamp would be 24".

**Options Include:** Buna-N Gasket - add "-N" to catalog number  
EPDM Gasket - add "-EPDM" to catalog number  
Conductivity Strips - add "-CS" to catalog number  
316 Stainless Steel - add "-Q" to catalog number

**Belleville Washers:** Belleville washers are used to allow for expansion and contraction of HDPE pipe. Belleville washers are made of 17-7 PH stainless steel.

For HDPE application information see page L-23.



NOM. PIPE SIZE	PIPE O.D. RANGE	CATALOG NUMBER	LENGTH AND APPROXIMATE SHIPPING WEIGHT LBS.				
			12.5"	15"	20"	24"	30"
16"	17.40	FSP3-1740-Length	31 Lbs.	40 Lbs.	52 Lbs.	64 Lbs.	77 Lbs.
18"	18.00	FSP3-1800-Length	35	44	56	68	84
	19.50	FSP3-1950-Length					
20"	20.00	FSP3-2000-Length	41	48	60	73	89
	21.60	FSP3-2160-Length					
24"	25.80	FSP3-2580-Length	46	53	65	79	102
30"	30.00	FSP3-3000-Length	51	63	84	89	132
	32.00	FSP3-3200-Length					
NUMBER OF STUDS			12	12	18	21	27

# Ford All Stainless Steel Repair Clamps Drop-In Bolt Design

ANSI/NSF Standard 61  
see page L-3

## Style FLS1 (single section) Operating Range .40" (5.14" and larger)

**To order:** Specify catalog number x length of clamp desired.

**Example:** FLS1-724-125 would be a single section clamp for pipe with an O.D. of between 6.84 and 7.24, and the length of the clamp would be 12.5".

**Options Include:** Buna-N Gasket - add "-N" to catalog number  
EPDM Gasket - add "-EPDM" to catalog number  
Conductivity Strips - add "-CS" to catalog number

**Note:** Sizes and lengths not listed (including metric) are available upon request. Contact the Ford Meter Box Customer Service Department for information.



NOM. PIPE SIZE	PIPE O.D. RANGE	CATALOG NUMBER	LENGTH AND APPROXIMATE SHIPPING WEIGHT LBS.							
			6"	7.5"	10"	12.5"	15"	20"	24"	30"
2"	2.05-2.25	FLS1-225-Length	4 Lbs.	4 Lbs.	5 Lbs.	5 Lbs.	N/A	N/A	N/A	N/A
	2.35-2.63	FLS1-263-Length	4	4	5	5	7			
2-1/4"x2-1/2"	2.70-3.00	FLS1-300-Length	4	5	5	6	8	N/A	N/A	N/A
	2.97-3.25	FLS1-325-Length	4	5	5	6	9	N/A	N/A	N/A
3.46-3.70	FLS1-370-Length									
3.73-4.00	FLS1-400-Length									
3"- 4"	3.96-4.25	FLS1-425-Length	5	5	6	7	9	N/A	N/A	N/A
	4.45-4.73	FLS1-473-Length								
4"	4.50-4.80	FLS1-480-Length	5	6	7	8	10	14	16	21
	4.74-5.14	FLS1-514-Length								
	4.95-5.35	FLS1-535-Length								
	5.22-5.62	FLS1-562-Length								
6"	5.95-6.35	FLS1-635-Length	N/A	7	9	10	14	17	21	27
	6.56-6.96	FLS1-696-Length								
	6.84-7.24	FLS1-724-Length								
	7.05-7.45	FLS1-745-Length								
	7.45-7.85	FLS1-785-Length								
8"	7.95-8.35	FLS1-835-Length	N/A	8	10	11	15	19	24	30
	8.54-8.94	FLS1-894-Length								
	8.99-9.39	FLS1-939-Length								
	9.27-9.67	FLS1-967-Length								
10"	9.70-10.10	FLS1-1010-Length	N/A	11	14	16	24	28	32	42
	10.60-11.04	FLS1-1104-Length								
	11.04-11.44	FLS1-1144-Length								
	11.34-11.74	FLS1-1174-Length								
	11.75-12.15	FLS1-1215-Length								
12"	12.00-12.40	FLS1-1240-Length	N/A	13	16	18	27	30	36	48
	12.60-13.02	FLS1-1302-Length								
	13.10-13.50	FLS1-1350-Length								
	13.40-13.80	FLS1-1380-Length								
	13.70-14.10	FLS1-1410-Length								
	14.00-14.40	FLS1-1440-Length								
<b>Number of Bolt Lugs</b>			2	2	3	3-4*	4	6	7	9

\*12.5" long clamps in the 10" and 12" nominal pipe size have 4 bolt lugs.

## Stamped Repair Clamps

**OPTIONAL OUTLET TAPS** for corporation stops are available on the FLS repair clamp. The minimum clamp size for each tap type and size is listed in the tapping code table to the right. The tapped outlet is 18-8 Type 304 stainless steel and is "fused" to the clamp band by a fully passivated TIG weld.

**To Order:** 1. Select the proper code from table to match desired size and type of thread.

2. Add code to catalog number of repair clamp.

**Example:** The number for an FLS1-724-125 with a 3/4" CC tap is FLS1-724-125-CC3.

### Tapping Codes

CC (AWWA) THREAD				IP THREAD			
SIZE	CODE NUMBER	MIN. CLAMP SIZE		SIZE	CODE NUMBER	MIN. CLAMP SIZE	
		FLS1	FLS2			FLS1	FLS2
3/4"	CC3	2.63	5.24	3/4"	IP3	2.63	5.24
1"	CC4	2.63	5.24	1"	IP4	2.63	5.24
1-1/4"	CC5	3.70	5.24	1-1/4"	IP5	3.70	5.24
1-1/2"	CC6	4.25	5.24	1-1/2"	IP6	3.70	5.24
2"	CC7	4.73	5.57	2"	IP7	4.25	5.57

# Ford All Stainless Steel Repair Clamps Drop-In Bolt Design

ANSI/NSF Standard 61  
see page L-3

## Style FLS2 (double section) Operating Range .80" (4"-12")



**To order:** Specify catalog number x length of clamp desired.

**Example:** FLS2-764-10 would be a double section clamp for pipe with an O.D. of between 6.84 and 7.64, and the length of the clamp would be 10".

**Options Include:** Buna-N Gasket - add "-N" to catalog number  
EPDM Gasket - add "-EPDM" to catalog number  
Conductivity Strips (FLS2-979 and larger) - add "-CS" to catalog number

**Note:** Sizes and lengths not listed (including metric) are available upon request. Contact the Ford Meter Box Customer Service Department for information.

NOM. PIPE SIZE	PIPE O.D. RANGE	CATALOG NUMBER	LENGTH AND APPROXIMATE SHIPPING WEIGHT LBS.						
			7.5"	10"	12.5"	15"	20"	24"	30"
4"	4.44-5.24	FLS2-524-Length	11 Lbs.	14 Lbs.	18 Lbs.	26 Lbs.	32 Lbs.	38 Lbs.	N/A
	4.74-5.57	FLS2-557-Length							
6"	6.62-7.42	FLS2-742-Length	12	15	19	28	35	42	45
	6.84-7.64	FLS2-764-Length							
8"	8.62-9.42	FLS2-942-Length	13	17	21	30	38	46	51
	8.99-9.79	FLS2-979-Length							
10"	10.70-11.50	FLS2-1150-Length	N/A	18	23	32	41	50	54
	11.04-11.84	FLS2-1184-Length							
	11.60-12.40	FLS2-1240-Length							
12"	12.70-13.50	FLS2-1350-Length	N/A	19	25	34	44	54	57
	13.14-13.94	FLS2-1394-Length							
	13.65-14.45	FLS2-1445-Length							
14"	15.07-15.82	FLS2-1582-Length	N/A	20	27	36	47	58	63
16"	17.15-17.90	FLS2-1790-Length	N/A	22	29	38	50	62	66
<b>Number of Bolt Lugs</b>			4	6	6-8*	8	12	14	18

\* 12.5" long clamps in the 10" thru 16" nominal pipe size have 8 bolt lugs.

## Style FLS3 (triple section) Operating Range 1.20"

**To order:** Specify catalog number x length of clamp desired.

**Example:** FLS3-1920-24 would be a triple section clamp for pipe with an O.D. between 18.00 and 19.20, and the length of the clamp would be 24".

**Options Include:** Buna-N Gasket - add "-N" to catalog number  
EPDM Gasket - add "-EPDM" to catalog number  
Conductivity Strips - add "-CS" to catalog number

**Note:** Sizes and lengths not listed (including metric) are available upon request. Contact the Ford Meter Box Customer Service Department for information.

NOM. PIPE SIZE	PIPE O.D. RANGE	CATALOG NUMBER	LENGTH AND APPROXIMATE SHIPPING WEIGHT LBS.				
			12.5"	15"	20"	24"	30"
16"	17.10-18.30	FLS3-1830-Length	31 Lbs.	40 Lbs.	52 Lbs.	64 Lbs.	77 Lbs.
18"	18.00-19.20	FLS3-1920-Length	35	44	56	68	84
	19.50-20.70	FLS3-2070-Length					
20"	21.60-22.80	FLS3-2280-Length	41	48	60	73	89
24"	25.80-27.00	FLS3-2700-Length	46	53	65	79	102
30"	29.62-30.82	FLS3-3082-Length	50	62	83	88	130
	31.70-32.90	FLS3-3290-Length					
<b>Number of Bolt Lugs</b>			12	12	18	21	27

# Ford Repair Clamps

## Style F1 (single section) / Operating Range .40" (4" and larger)

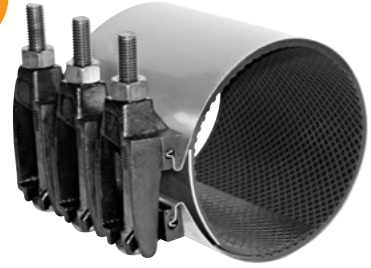
ANSI/NSF Standard 61  
see page L-3

**To order:** Specify catalog number x length of clamp desired.

**Example:** F1-724-125 would be a single section clamp for pipe with an O.D. of between 6.84 and 7.24, and the length of the clamp would be 12.5".

**Options Include:** Buna-N Gasket - add "-N" to catalog number  
 EPDM Gasket - add "-EPDM" to catalog number  
 Conductivity Strips - add "-CS" to catalog number  
 Blue Fluorocarbon Coated Nuts and Bolts - add "-BBN" to catalog number  
 Type 304 Stainless Steel Bolts & Nuts - add "-SH" to catalog number  
 E-Coated Lugs - add "-E3" to catalog number  
 Long Starter Bolt - add "-A" to catalog number

MEETS  
AWWA  
C230



**Note:** Sizes and lengths not listed (including metric) are available upon request. Contact the Ford Meter Box Customer Service Department for information.

NOM. PIPE SIZE	PIPE O.D. RANGE	CATALOG NUMBER	LENGTH AND APPROXIMATE SHIPPING WEIGHT LBS.					
			7.5"	10"	12.5"	15"	20"	30"
1"	1.88-2.15	F1-215-Length	7 Lbs.	9 Lbs.	12 Lbs.	14 Lbs.	N/A	N/A
2"	2.35-2.63	F1-263-Length	7	9	12	14	N/A	N/A
	2.70-3.00	F1-300-Length	7	10	12	14	N/A	N/A
2-1/4"-2-1/2"	2.83-3.13	F1-313-Length	7	10	12	14	N/A	N/A
	2.97-3.25	F1-325-Length						
3"	3.46-3.70	F1-370-Length	8	10	12	14	N/A	N/A
	3.73-4.00	F1-400-Length						
	3.73-4.13	F1-413-Length						
3"-4"	3.96-4.25	F1-425-Length	8	11	13	15	N/A	N/A
	4.45-4.73	F1-473-Length						
	4.74-5.14	F1-514-Length						
4"	4.95-5.35	F1-535-Length	11	15	18	22	29	44
	5.22-5.62	F1-562-Length						
	5.95-6.35	F1-635-Length						
6"	6.56-6.96	F1-696-Length	12	16	20	24	32	48
	6.84-7.24	F1-724-Length						
	7.05-7.45	F1-745-Length	13	17	21	25	34	51
8"	7.45-7.85	F1-785-Length						
	7.95-8.35	F1-835-Length						
	8.54-8.94	F1-894-Length	14	19	23	28	37	55
8"	8.99-9.39	F1-939-Length						
	9.27-9.67	F1-967-Length						
	9.70-10.10	F1-1010-Length	15	20	25	29	38	58
10"	9.90-10.30	F1-1030-Length						
	10.60-11.04	F1-1104-Length						
	11.04-11.44	F1-1144-Length	16	21	26	31	41	62
10"	11.34-11.74	F1-1174-Length						
	11.75-12.15	F1-1215-Length						
	12.00-12.40	F1-1240-Length	17	22	28	33	44	67
12"	12.60-13.02	F1-1302-Length						
	13.10-13.50	F1-1350-Length						
	13.40-13.80	F1-1380-Length	18	23	29	35	46	70
12"	13.70-14.10	F1-1410-Length						
	14.00-14.40	F1-1440-Length						
	NUMBER OF BOLTS			3	4	5	6	8

## Tapped Repair Clamps



### Tapping Codes

CC (AWWA) THREAD				IP THREAD			
SIZE	CODE NUMBER	MIN. CLAMP SIZE		SIZE	CODE NUMBER	MIN. CLAMP SIZE	
		F1	F2 (W)			F1	F2 (W)
3/4"	CC3	2.63	5.60	3/4"	IP3	2.63	5.60
1"	CC4	2.63	5.60	1"	IP4	2.63	5.60
1-1/4"	*CC5	3.70	5.60	1-1/4"	*IP5	3.70	5.60
1-1/2"	CC6	4.25	5.60	1-1/2"	IP6	3.70	5.60
2"	CC7	4.73	5.60	2"	IP7	4.25	5.60

\* Contact factory for availability

**OUTLET TAPS** for corporation stops are available on Ford Stainless Steel Clamps. The minimum clamp size for each tap type and size is listed in the tapping code table above. The tapped outlet is 18-8 Type 304 stainless steel and is "fused" to the clamp band by a fully passivated TIG weld.

**To Order:** 1. Select the proper code from table to match desired size and type of thread.  
 2. Add code to catalog number of repair clamp.

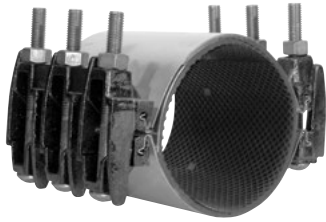
Example: The number for an F1-724-125 with a 3/4" CC tap is F1-724-125-CC3.

ANSI/NSF Standard 61  
see page L-3

MEETS  
AWWA  
C230

# Ford Repair Clamps

## Style F2 (double section) / Operating Range .80"



**To Order:** Specify catalog number x length of clamp desired.

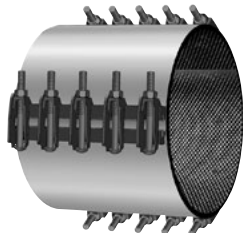
**Example:** F2-1445-20 would be a double section clamp for pipe with an O.D. of between 13.65 and 14.45, and the length of the clamp would be 20".

**Options Include:** Buna-N Gasket - add "-N" to catalog number  
EPDM Gasket - add "-EPDM" to catalog number  
Conductivity Strips (F2-979 and larger) - add "-CS" to catalog number  
Blue Fluorocarbon Coated Nuts and Bolts - add "-BBN" to catalog number  
Type 304 Stainless Steel Bolts & Nuts - add "-SH" to catalog number  
E-Coated Lugs - add "-E3" to catalog number

**Note:** Sizes and lengths not listed (including metric) are available upon request. Contact the Ford Meter Box Customer Service Department for information.

NOM. PIPE SIZE	PIPE O.D. RANGE	CATALOG NUMBER	LENGTH AND APPROXIMATE SHIPPING WEIGHT LBS.					
			7.5"	10"	12.5"	15"	20"	30"
4"	4.44-5.24	F2-524-Length	20 Lbs.	27 Lbs.	32 Lbs.	40 Lbs.	53 Lbs.	80 Lbs.
	4.74-5.57	F2-557-Length						
4" Special	4.45-5.60	F2W-560-Length	N/A	29	N/A	43	58	87
6"	6.62-7.42	F2-742-Length	22	29	36	43	57	86
	6.84-7.64	F2-764-Length						
8"	8.62-9.42	F2-942-Length	23	29	38	46	61	92
	8.99-9.79	F2-979-Length						
10"	10.70-11.50	F2-1150-Length	24	30	42	46	69	98
	10.72-11.72	F2-1172-Length						
	11.04-11.84	F2-1184-Length						
	11.60-12.40	F2-1240-Length						
10" Special	11.04-12.24	F2W-1224-Length	N/A	48	N/A	71	95	144
12"	12.70-13.50	F2-1350-Length	27	30	44	47	70	100
	12.72-13.92	F2-1392-Length						
	13.14-13.94	F2-1394-Length						
	13.65-14.45	F2-1445-Length						
12" Special	13.14-14.34	F2W-1434-Length	N/A	50	N/A	75	98	155
	13.65-14.65	F2-1465-Length	N/A	31	N/A	48	71	101
Range	14.38-15.13	F2-1513-Length	N/A	31	N/A	48	71	101
	15.07-15.82	F2-1582-Length	N/A	31	N/A	49	71	101
	15.20-16.20	F2-1620-Length	N/A	32	N/A	49	72	102
	15.92-16.67	F2-1667-Length	N/A	32	N/A	49	72	102
	16.00-17.00	F2-1700-Length	N/A	32	N/A	50	72	103
	16.56-17.31	F2-1731-Length	N/A	32	N/A	50	72	103
	17.15-17.90	F2-1790-Length	N/A	32	N/A	50	72	104
	17.20-18.20	F2-1820-Length	N/A	32	N/A	50	72	104
	17.82-18.57	F2-1857-Length	N/A	33	N/A	52	73	104
	18.46-19.21	F2-1921-Length	N/A	33	N/A	53	73	104
	18.40-19.40	F2-1940-Length	N/A	34	N/A	53	74	105
	19.23-19.98	F2-1998-Length	N/A	34	N/A	53	74	105
	19.40-20.40	F2-2040-Length	N/A	34	N/A	53	74	105
	19.90-20.65	F2-2065-Length	N/A	34	N/A	53	74	105
	20.40-21.40	F2-2140-Length	N/A	34	N/A	53	74	105
	20.70-21.45	F2-2145-Length	N/A	35	N/A	54	75	106
	21.52-22.27	F2-2227-Length	N/A	35	N/A	54	75	106
	21.40-22.40	F2-2240-Length	N/A	36	N/A	55	76	110
	22.12-22.87	F2-2287-Length	N/A	36	N/A	55	76	110
	22.50-23.60	F2-2360-Length	N/A	36	N/A	55	76	110
22.90-23.65	F2-2365-Length	N/A	36	N/A	55	76	110	
NUMBER OF BOLTS			6	8	10	12	16	24

## Style F3 (triple section) / Operating Range 1.20"



**To order:** Specify catalog number x length of clamp desired.

**Example:** F3-2680-30 would be a triple section clamp for pipe with an O.D. of between 25.60 and 26.80, and the length of the clamp would be 30".

**Options Include:** Buna-N Gasket - add "-N" to catalog number  
EPDM Gasket - add "-EPDM" to catalog number  
Conductivity Strips - add "-CS" to catalog number  
Type 304 Stainless Steel Bolts & Nuts - add "-SH" to catalog number  
E-Coated Lugs - add "-E3" to catalog number

**Note:** Sizes and lengths not listed (including metric) are available upon request. Contact the Ford Meter Box Customer Service Department for information.

NOM. PIPE SIZE	PIPE O.D. RANGE	CATALOG NUMBER	LENGTH AND APPROXIMATE SHIPPING WEIGHT LBS.			
			10"	15"	20"	30"
Range	23.18-24.38	F3-2438-Length	102 Lbs.	148 Lbs.	185 Lbs.	268 Lbs.
	24.28-25.48	F3-2548-Length	104	151	188	272
	25.60-26.80	F3-2680-Length	106	152	190	275
	26.38-27.58	F3-2758-Length	107	155	193	278
	27.55-28.75	F3-2875-Length	109	158	197	283
	28.63-29.83	F3-2983-Length	111	160	202	287
	29.52-30.72	F3-3072-Length	113	163	204	290
NUMBER OF BOLTS			12	18	24	36

**Note:** Clamps for larger pipe and with more sections available. Contact factory for information.

# Ford Repair Clamps For HDPE Pipe

ANSI/NSF Standard 61  
see page L-3

## Style FP1 (single section) for HDPE Pipe

**To order:** Specify catalog number x length of clamp desired.

**Example:** FP1-690-125 would be a single section clamp for pipe with an O.D. of 6.90, and the length of the clamp would be 12.5".

**Options Include:**

- Buna-N Gasket - add "-N" to catalog number
- EPDM Gasket - add "-EPDM" to catalog number
- Conductivity Strips - add "-CS" to catalog number
- Blue Fluorocarbon Coated Nuts and Bolts - add "-BBN" to catalog number
- Type 304 Stainless Steel Bolts & Nuts - add "-SH" to catalog number
- E-Coated Lugs - add "-E3" to catalog number
- Long Starter Bolt - add "-A" to catalog number



**Belleville Washers:** Belleville washers are used to allow for expansion and contraction of HDPE pipe. Belleville washers are made of 17-7 PH stainless steel.  
For HDPE application information see page L-23.

NOM. PIPE SIZE	PIPE O.D. RANGE	CATALOG NUMBER	LENGTH AND APPROXIMATE SHIPPING WEIGHT LBS.					
			7.5"	10"	12.5"	15"	20"	30"
2"	2.38 2.50	FP1-238-Length FP1-250-Length	7 Lbs.	9 Lbs.	12 Lbs.	14 Lbs.	N/A	N/A
2-1/2"	2.88	FP1-288-Length	7	10	12	14	N/A	N/A
3"	3.50 3.80	FP1-350-Length FP1-380-Length	8	10	12	14	N/A	N/A
4"	4.50 4.80	FP1-450-Length FP1-480-Length	8	11	13	15	N/A	N/A
6"	6.63 6.90	FP1-663-Length FP1-690-Length	12	16	20	24	32	48
8"	8.63	FP1-863-Length	13	17	21	25	34	51
	9.05	FP1-905-Length	14	19	23	28	37	55
10"	10.75	FP1-1075-Length	15	20	25	29	38	58
	11.10	FP1-1110-Length	16	21	26	31	41	62
12"	12.75	FP1-1275-Length	17	22	28	33	44	67
	13.20	FP1-1320-Length						
NUMBER OF BOLTS			3	4	5	6	8	12

## Tapped Repair Clamps



### Tapping Codes

CC (AWWA) THREAD				IP THREAD			
SIZE	CODE NUMBER	MIN. CLAMP SIZE		SIZE	CODE NUMBER	MIN. CLAMP SIZE	
		FP1	FP2 (W)			FP1	FP2 (W)
3/4"	CC3	2.63	5.60	3/4"	IP3	2.63	5.60
1"	CC4	2.63	5.60	1"	IP4	2.63	5.60
1-1/4"	*CC5	3.70	5.60	1-1/4"	*IP5	3.70	5.60
1-1/2"	CC6	4.25	5.60	1-1/2"	IP6	3.70	5.60
2"	CC7	4.73	5.60	2"	IP7	4.25	5.60

\* Contact factory for availability

**OUTLET TAPS** for corporation stops are available on Ford Stainless Steel Clamps. The minimum clamp size for each tap type and size is listed in the tapping code table above. The tapped outlet is 18-8 Type 304 stainless steel and is "fused" to the clamp band by a fully passivated TIG weld.

**To Order:** 1. Select the proper code from table to match desired size and type of thread.

2. Add code to catalog number of repair clamp.

Example: The number for an FP1-663-125 with a 3/4" CC tap is FP1-663-125-CC3.

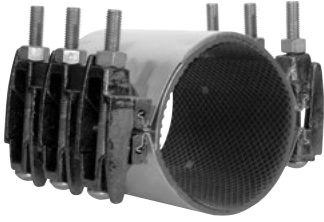
# Ford Repair Clamps For HDPE Pipe

ANSI/NSF Standard 61  
see page L-3

## Style FP2 (double section) for HDPE Pipe

**To Order:** Specify catalog number x length of clamp desired.

**Example:** FP2-1530-20 would be a double section clamp for pipe with an O.D. of 15.30, and the length of the clamp would be 20".



**Options Include:** Buna-N Gasket - add "-N" to catalog number  
 EPDM Gasket - add "-EPDM" to catalog number  
 Conductivity Strips (FP2-1075 and larger) - add "-CS" to catalog number  
 Blue Fluorocarbon Coated Nuts and Bolts - add "-BBN" to catalog number  
 Type 304 Stainless Steel Bolts & Nuts - add "-SH" to catalog number  
 E-Coated Lugs - add "-E3" to catalog number

**Belleville Washers:** Belleville washers are used to allow for expansion and contraction of HDPE pipe. Belleville washers are made of 17-7 PH stainless steel.

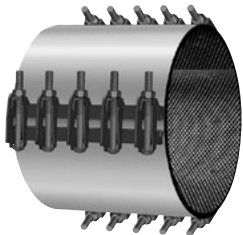
For HDPE application information see page L-23.

NOM. PIPE SIZE	PIPE O.D. RANGE	CATALOG NUMBER	LENGTH AND APPROXIMATE SHIPPING WEIGHT LBS.					
			7.5"	10"	12.5"	15"	20"	30"
4"	4.50	FP2-450-Length	20 Lbs.	27 Lbs.	32 Lbs.	40 Lbs.	53 Lbs.	80 Lbs.
	4.80	FP2-480-Length						
6"	6.63	FP2-663-Length	22	29	36	43	57	86
	6.90	FP2-690-Length						
8"	8.63	FP2-863-Length	23	29	38	46	61	92
	9.05	FP2-905-Length						
10"	10.75	FP2-1075-Length	24	30	42	46	69	98
	11.10	FP2-1110-Length						
12"	12.75	FP2-1275-Length	27	30	44	47	70	100
	13.20	FP2-1320-Length						
14"	14.00	FP2-1400-Length	N/A	31	N/A	48	71	101
	15.30	FP2-1530-Length						
16"	16.00	FP2-1600-Length	N/A	31	N/A	49	71	101
	17.40	FP2-1740-Length						
18"	18.00	FP2-1800-Length	N/A	32	N/A	50	72	104
	19.50	FP2-1950-Length						
20"	20.00	FP2-2000-Length	N/A	34	N/A	53	74	105
	21.60	FP2-2160-Length						

## Style FP3 (triple section) for HDPE Pipe

**To order:** Specify catalog number x length of clamp desired.

**Example:** FP3-2580-30 would be a triple section clamp for pipe with an O.D. of 25.80, and the length of the clamp would be 30".



**Options Include:** Buna-N Gasket - add "-N" to Catalog Number  
 EPDM Gasket - add "-EPDM" to Catalog Number  
 Conductivity Strips - add "-CS" to Catalog Number  
 Type 304 Stainless Steel Bolts & Nuts - add "-SH" to Catalog Number  
 E-Coated Lugs - add "-E3" to Catalog Number

**Belleville Washers:** Belleville washers are used to allow for expansion and contraction of HDPE pipe. Belleville washers are made of 17-7 PH stainless steel.

For HDPE application information see page L-23.

NOM. PIPE SIZE	PIPE O.D. RANGE	CATALOG NUMBER	LENGTH AND APPROXIMATE SHIPPING WEIGHT LBS.			
			10"	15"	20"	30"
24"	24.00 25.80	FP3-2400-Length	102 Lbs.	148 Lbs.	185 Lbs.	268 Lbs.
		FP3-2580-Length	106	152	190	275
30"	30.00	FP3-3000-Length	113	163	204	290
NUMBER OF BOLTS			12	18	24	36

# Ford Snap Clamps

## Style FSC For Economical Repair of Water Pipe Leaks

Ford Snap Clamps offer a handy and economical way to repair pinholes and other small leaks that do not require a full 360° gasket seal. A gridded gasket design and “cushion lugs” make them ideal for older pitted pipe that has worn thin over the years.

**To order:** Specify catalog number by length of desired clamp. For example, an FSC-190-6 would be a 6" long clamp for 1-1/2" standard steel pipe.

**Shell:** 18-8 Type 304 stainless steel

**Lugs:** Ductile Iron per ASTM A536, black Armorguard E-coat finish

**Gasket:** Buna-N with heavy grid design

**Bolts:** AISI C1018 steel, 3/8" and/or 7/16" electrodeposited zinc with di-chromate seal



NOM. PIPE SIZE	PIPE O.D.	CATALOG NUMBER	LENGTH AND APPROXIMATE SHIPPING WEIGHT LBS.							
			3"	CTN. QTY.	6"	CTN. QTY.	9"	CTN. QTY.	12"	CTN. QTY.
1/2"	0.84	FSC-084-Length	0.54 Lbs.	25	1.08 Lbs.	12	N/A	-	N/A	-
3/4"	1.05	FSC-105-Length	0.55	25	1.10	12	1.7	-	N/A	-
1"	1.32	FSC-132-Length	0.56	20	1.12	10	1.7	-	N/A	-
1-1/4"	1.66	FSC-166-Length	0.58	18	1.16	12	2.2	-	N/A	-
1-1/2"	1.90	FSC-190-Length	0.60	12	1.20	12	2.2	2	2.4	2
2"	2.38	FSC-238-Length	1.00	10	2.00	12	3.2	2	4.0	2
2-1/2"	2.88	FSC-288-Length	1.05	10	2.10	12	3.4	2	4.2	2
3"	3.50	FSC-350-Length	1.30	10	2.60	6	3.6	1	5.2	1
3-1/2"	4.00	FSC-400-Length	1.35	10	2.70	6	3.9	1	5.4	1
4"	4.50	FSC-450-Length	1.40	10	2.80	6	4.0	1	5.6	1
5"	5.56	FSC-556-Length	1.60	6	3.20	3	4.8	1	6.4	1
6"	6.00	FSC-600-Length	1.72	6	3.45	2	4.9	1	6.9	1
	6.63	FSC-663-Length	1.85	6	3.70	2	6.2	1	7.4	1
8"	8.00	FSC-800-Length	2.00	3	4.00	2	6.4	1	8.0	1
	8.63	FSC-863-Length	2.20	3	4.40	2	6.6	1	8.8	1

# Ford Wrap Clamps

## Style FSC Clamp with Full Wrap Gasket

Ford Wrap Clamps offer the same leak repair features of the Snap Clamp with the extra assurance of 360° gasket coverage. Specific sizes are available for I.P.S. steel or copper.

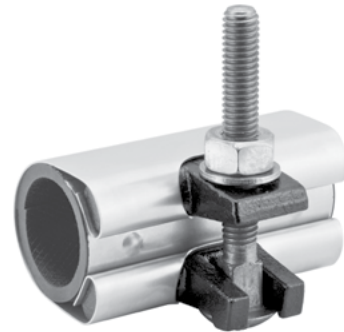
**To order:** Specify catalog number. For example, an FSC-190-6R would be a 6" long clamp for 1-1/2" standard steel pipe.

**Shell:** 18-8 Type 304 stainless steel

**Lugs:** Ductile Iron per ASTM A536, black Armorguard E-coat finish

**Gasket:** Buna-N rubber with gridded armored gasket for 360° coverage

**Bolts:** AISI C1018 steel, 3/8" and/or 7/16" electrodeposited zinc with di-chromate seal



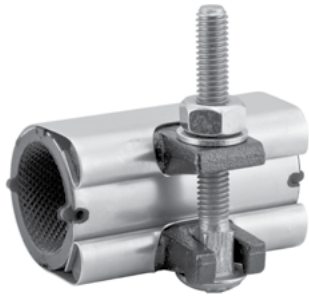
NOM. PIPE SIZE	PIPE O.D.	3" LONG CLAMP (1 BOLT)			6" LONG CLAMP (2 BOLTS)		
		CATALOG NUMBER	APPROX. WT. LBS.	CTN. QTY.	CATALOG NUMBER	APPROX. WT. LBS.	CTN. QTY.
1/2"	0.625	FSC-063-3R	0.75	25	N/A	-	-
	0.84	FSC-084-3R			FSC-084-6R	-	-
3/4"	0.875	FSC-088-3R	0.78	25	FSC-088-6R	1.56	12
	1.05	FSC-105-3R			FSC-105-6R		
1"	1.125	FSC-113-3R	0.85	20	FSC-113-6R	1.51	10
	1.32	FSC-132-3R			FSC-132-6R		
1-1/4"	1.375	FSC-138-3R	0.92	18	FSC-138-6R	1.87	12
	1.66	FSC-166-3R			FSC-166-6R		
1-1/2"	1.625	FSC-163-3R	1.03	12	FSC-163-6R	2.05	12
	1.90	FSC-190-3R			FSC-190-6R		
2"	2.125	FSC-213-3R	1.50	10	FSC-213-6R	3.00	12
	2.38	FSC-238-3R			FSC-238-6R		

**To order:** Specify catalog number. Example: an FSC-190-6R would be a 6" long clamp for 1-1/2" Standard Steel pipe.



# Ford Wrap Clamps

## Style FSC with Dual-Armor, Full Wrap Gasket



Similar to the traditional wrap clamp, Ford Dual-Armor Wrap Clamps provide 360° gasket coverage. This unique design also offers the extra security and endurance of dual armor. The armor promotes ease of use by allowing user to squeeze and hold gasket over the leak. Gasket positioning is made simple with location indicators on either side. Specific sizes are available for I.P.S. steel or copper.

**To order:** Specify catalog number. For example, an FSC-190-6R2 would be a 6" long clamp for 1-1/2" standard steel pipe.

**Shell:** 18-8 Type 304 stainless steel

**Lugs:** Ductile iron per ASTM A536, black Armorguard E-coat finish

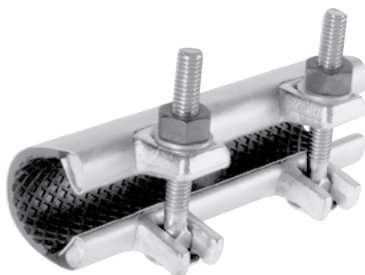
**Gasket:** Dual-Armored, gridded EPDM rubber with 360° coverage (Buna-N available)

**Fasteners:** AISI C1018 steel, 3/8" and/or 7/16" electrodeposited zinc with dichromate seal

NOM. PIPE SIZE	PIPE O.D.	3" LONG CLAMP (1 BOLT)			6" LONG CLAMP (2 BOLT)		
		CATALOG NUMBER	APPROX. WT. LBS.	CTN. QTY.	CATALOG NUMBER	APPROX. WT. LBS.	CTN. QTY.
1/2"	0.625	FSC-063-3R2	0.75	25	FSC-063-6R2	1.56	12
	0.84	FSC-084-3R2			FSC-084-6R2		
3/4"	0.875	FSC-088-3R2	0.75	25	FSC-088-6R2	1.56	12
	1.05	FSC-105-3R2			FSC-105-6R2		
1"	1.125	FSC-113-3R2	0.85	20	FSC-113-6R2	1.58	10
	1.32	FSC-132-3R2			FSC-132-6R2		
1-1/4"	1.375	FSC-138-3R2	0.92	18	FSC-138-6R2	1.87	12
	1.66	FSC-166-3R2			FSC-166-6R2		
1-1/2"	1.625	FSC-163-3R2	1.03	12	FSC-163-6R2	2.05	12
	1.90	FSC-190-3R2			FSC-190-6R2		
2"	2.125	FSC-213-3R2	1.50	10	FSC-213-6R2	3.00	12
	2.38	FSC-238-3R2			FSC-238-6R2		

# Ford All Stainless Steel Snap Clamps

## Style FLSC



Ford All Stainless Steel Snap Clamps offer a handy way to repair pinholes and other small leaks that do not require a full gasket seal. A gridded gasket design and "cushion lugs" make them ideal for older pitted pipe that has worn thin over the years. The All Stainless Steel Snap Clamp offers the same conveniences and performance of the traditional Snap Clamp with the added corrosion resistance of stainless steel lugs and bolts.

**To order:** Specify catalog number by length of desired clamp. For example, an FLSC-190-6 would be a 6" long clamp for 1-1/2" standard steel pipe.

**Shell:** 18-8 Type 304 stainless steel

**Lugs:** 18-8 Type 304 stainless steel

**Gasket:** Buna-N with heavy grid design

**Fasteners:** 18-8 Type 304 stainless steel

NOM. PIPE SIZE	PIPE O.D.	CATALOG NUMBER	LENGTH AND APPROXIMATE SHIPPING WEIGHT LBS.							
			3"	CTN. QTY.	6"	CTN. QTY.	9"	CTN. QTY.	12"	CTN. QTY.
1/2"	0.84	FLSC-084-Length	0.54 Lbs.	25	1.08 Lbs.	12	N/A	-	N/A	-
3/4"	1.05	FLSC-105-Length	0.55	25	1.10	12	1.7	-	N/A	-
1"	1.32	FLSC-132-Length	0.56	20	1.12	10	1.7	-	N/A	-
1-1/4"	1.66	FLSC-166-Length	0.58	18	1.16	12	1.8	-	N/A	-
1-1/2"	1.90	FLSC-190-Length	0.60	12	1.20	12	1.8	2	2.9	2
2"	2.38	FLSC-238-Length	1.00	10	2.00	12	3.0	2	4.1	2
2-1/2"	2.88	FLSC-288-Length	1.05	10	2.10	12	3.2	2	4.4	2
3"	3.50	FLSC-350-Length	1.30	10	2.60	6	3.9	1	4.8	1
3-1/2"	4.00	FLSC-400-Length	1.35	10	2.70	6	4.0	1	4.9	1
4"	4.50	FLSC-450-Length	1.40	10	2.80	6	4.2	1	5.2	1
5"	5.56	FLSC-556-Length	1.60	6	3.20	3	4.8	1	5.0	1
6"	6.00	FLSC-600-Length	1.72	6	3.45	2	5.2	1	5.1	1
	6.63	FLSC-663-Length	1.85	6	3.70	2	5.6	1	6.6	1
8"	8.00	FLSC-800-Length	2.00	3	4.00	2	6.0	1	7.7	1
	8.63	FLSC-863-Length	2.20	3	4.40	2	6.6	1	7.9	1

# Ford All Stainless Steel Wrap Clamps

## Style FLSC Clamp with Full Wrap Gasket

Ford Wrap Clamps offer the same leak repair features of the Snap Clamp with the extra assurance of 360° gasket coverage. Specific sizes are available for I.P.S. steel or copper. The All Stainless Steel Wrap Clamp offers the same conveniences and performance of the traditional Wrap Clamp with the added security of stainless steel lugs and bolts.

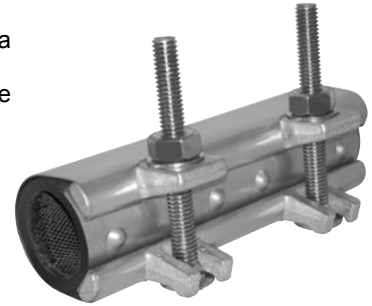
**To order:** Specify catalog number. For example, an FLSC-190-6R would be a 6" long clamp for 1-1/2" standard steel pipe.

**Shell:** 18-8 Type 304 stainless steel

**Lugs:** 18-8 Type 304 stainless steel

**Gasket:** Buna-N rubber with gridded armored gasket for 360° coverage

**Fasteners:** 18-8 Type 304 stainless steel



NOM. PIPE SIZE	PIPE O.D.	3" LONG CLAMP (1 BOLT)			6" LONG CLAMP (2 BOLTS)		
		CATALOG NUMBER	APPROX. WT. LBS.	CTN. QTY.	CATALOG NUMBER	APPROX. WT. LBS.	CTN. QTY.
1/2"	0.625	FLSC-063-3R	0.75	25	N/A	—	—
	0.84	FLSC-084-3R			FLSC-084-6R	—	—
3/4"	0.875	FLSC-088-3R	0.78	25	FLSC-088-6R	1.56	12
	1.05	FLSC-105-3R			FLSC-105-6R		
1"	1.125	FLSC-113-3R	0.85	20	FLSC-113-6R	1.58	10
	1.32	FLSC-132-3R			FLSC-132-6R		
1-1/4"	1.375	FLSC-138-3R	0.92	18	FLSC-138-6R	1.87	12
	1.66	FLSC-166-3R			FLSC-166-6R		
1-1/2"	1.625	FLSC-163-3R	1.03	12	FLSC-163-6R	2.05	12
	1.90	FLSC-190-3R			FLSC-190-6R		
2"	2.125	FLSC-213-3R	1.50	10	FLSC-213-6R	3.00	12
	2.38	FLSC-238-3R			FLSC-238-6R		

**To order:** Specify catalog number. Example: an FLSC-190-6R would be a 6" long clamp for 1-1/2" standard steel pipe.

# Ford All Stainless Steel Wrap Clamps

## Style FLSC with Dual-Armor, Full Wrap Gasket

Ford All Stainless Dual Armor Wrap Clamps provide the same 360° gasket coverage as its wrap clamp counterpart with an added bonus – more armor. This extra armor allows the user to hold the gasket over the leak without worrying about gasket positioning until it is time to tighten the nuts. Stainless steel shell, lugs and fasteners enable a long-lasting, corrosion-resistant solution for any small leak.

**To order:** Specify catalog number. For example, an FLSC-190-6R2 would be a 6" long clamp for 1-1/2" standard steel pipe.

**Shell:** 18-8 Type 304 stainless steel

**Lugs:** 18-8 Type 304 stainless steel

**Gasket:** Dual-Armored, gridded EPDM rubber with 360° coverage (Buna-N available)

**Fasteners:** 18-8 Type 304 stainless steel



NOM. PIPE SIZE	PIPE O.D.	3" LONG CLAMP (1 BOLT)			6" LONG CLAMP (2 BOLT)		
		CATALOG NUMBER	APPROX. WT. LBS.	CTN. QTY.	CATALOG NUMBER	APPROX. WT. LBS.	CTN. QTY.
1/2"	0.625	FLSC-063-3R2	0.75	25	FLSC-063-6R2	1.56	12
	0.84	FLSC-084-3R2			FLSC-084-6R2		
3/4"	0.875	FLSC-088-3R2	0.75	25	FLSC-088-6R2	1.56	12
	1.05	FLSC-105-3R2			FLSC-105-6R2		
1"	1.125	FLSC-113-3R2	0.85	20	FLSC-113-6R2	1.58	10
	1.32	FLSC-132-3R2			FLSC-132-6R2		
1-1/4"	1.375	FLSC-138-3R2	0.92	18	FLSC-138-6R2	1.87	12
	1.66	FLSC-166-3R2			FLSC-166-6R2		
1-1/2"	1.625	FLSC-163-3R2	1.03	12	FLSC-163-6R2	2.05	12
	1.90	FLSC-190-3R2			FLSC-190-6R2		
2"	2.125	FLSC-213-3R2	1.50	10	FLSC-213-6R2	3.00	12
	2.38	FLSC-238-3R2			FLSC-238-6R2		

# Ford Wrap Clamps

## Style FSC1 Clamp with Full-Wrap Gasket



The FSC1 Wrap Clamp combines the features of the FS1 Repair Clamp and the FSC Wrap Clamp. This design is engineered to provide extra leverage in tight installations on smaller pipes (1/2" – 2"). The stainless steel construction is fully passivated to restore its natural corrosion-resistant state and to ensure a long-lasting life for the clamp. Dimples on the armored gasket remove the guesswork when positioning. Specific sizes are available for I.P.S. steel or copper.

**To order:** Specify catalog number. Example: an FSC1-190-6R would be a 6" long clamp for 1-1/2" standard steel pipe. To order with 316 stainless steel, add "-Q" to the catalog number.

**Shell:** 18-8 Type 304 stainless steel

**Lugs:** 18-8 Type 304 stainless steel

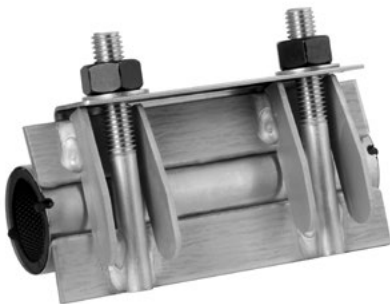
**Gasket:** Armored, gridded Buna-N rubber with 360° coverage (EPDM available)

**Fasteners:** Nuts, washers and studs all 18-8 Type 304 stainless steel. Nuts are coated to prevent galling

NOMINAL PIPE SIZE	PIPE O.D.	3" LONG CLAMP (1 BOLT)		6" LONG CLAMP (2 BOLT)	
		CATALOG NUMBER	APPROX. WT. LBS.	CATALOG NUMBER	APPROX. WT. LBS.
1/2"	0.625	FSC1-063-3R	0.75	FSC1-063-6R	1.56
	0.84	FSC1-084-3R		FSC1-084-6R	
3/4"	0.875	FSC1-088-3R	0.78	FSC1-088-6R	1.56
	1.05	FSC1-105-3R		FSC1-105-6R	
1"	1.125	FSC1-113-3R	0.85	FSC1-113-6R	1.58
	1.32	FSC1-132-3R		FSC1-132-6R	
1 1/4"	1.375	FSC1-138-3R	0.92	FSC1-138-6R	1.87
	1.66	FSC1-166-3R		FSC1-166-6R	
1 1/2"	1.625	FSC1-163-3R	1.03	FSC1-163-6R	2.05
	1.90	FSC1-190-3R		FSC1-190-6R	
2"	2.125	FSC1-213-3R	1.50	FSC1-213-6R	3.00
	2.38	FSC1-238-3R		FSC1-238-6R	

# Ford Wrap Clamps

## Style FSC1 Clamp with Dual-Armor, Full-Wrap Gasket



FSC1 Dual-Armor Wrap Clamp combines the features of the FS1 Repair Clamp with the FSC Dual-Armor Wrap Clamp. With rounded stainless steel lugs, a lifter bar and dual-armor gasket, this clamp provides a corrosion-resistant solution that will stop small leaks. Location indicators on the gasket help ensure a proper installation. Specific sizes are available for I.P.S. steel or copper.

**To order:** Specify catalog number. Example: an FSC1-190-3R2 would be a 3" long clamp for 1-1/2" standard steel pipe. To order with 316 stainless steel, add "-Q" to the catalog number.

**Shell:** 18-8 Type 304 stainless steel

**Lugs:** 18-8 Type 304 stainless steel

**Gasket:** Dual-Armored, gridded EPDM rubber with 360° coverage (Buna-N available)

**Fasteners:** Nuts, washers and studs all 18-8 Type 304 stainless steel. Nuts are coated to prevent galling.

NOMINAL PIPE SIZE	PIPE O.D.	3" LONG CLAMP (1 BOLT)		6" LONG CLAMP (2 BOLT)	
		CATALOG NUMBER	APPROX. WT. LBS.	CATALOG NUMBER	APPROX. WT. LBS.
1/2"	0.625	FSC1-063-3R2	0.75	FSC1-063-6R2	1.56
	0.84	FSC1-084-3R2		FSC1-084-6R2	
3/4"	0.875	FSC1-088-3R2	0.75	FSC1-088-6R2	1.56
	1.05	FSC1-105-3R2		FSC1-105-6R2	
1"	1.125	FSC1-113-3R2	0.85	FSC1-113-6R2	1.58
	1.32	FSC1-132-3R2		FSC1-132-6R2	
1 1/4"	1.375	FSC1-138-3R2	0.92	FSC1-138-6R2	1.87
	1.66	FSC1-166-3R2		FSC1-166-6R2	
1 1/2"	1.625	FSC1-163-3R2	1.03	FSC1-163-6R2	2.05
	1.90	FSC1-190-3R2		FSC1-190-6R2	
2"	2.125	FSC1-213-3R2	1.50	FSC1-213-6R2	3.00
	2.38	FSC1-238-3R2		FSC1-238-6R2	

# Ford PVC Coupling Leak Clamps

## Style FCC - For PVC Pipe Joined with Schedule 40 Solvent Weld Couplings

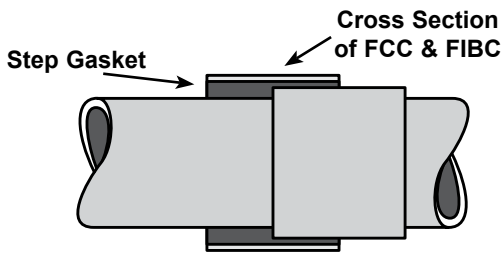


Leaking solvent weld joints on PVC pipe can be repaired by shutting down the water main and splicing in a new piece of pipe. This is time consuming, expensive, and requires making additional joints in your water system. Eliminate these problems by using the Ford Coupling Leak Clamp to repair leaking solvent welds on PVC pipe.

The Ford Style FCC Leak Clamp features 2 bolts and a step gasket with a butt sealing design that stops the leak between the coupling and the PVC pipe.

### Specifications:

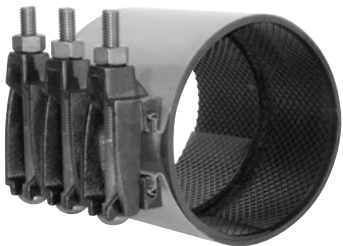
- Band:** 5 inch wide 18-8 Type 304 stainless steel
- Lugs:** Ductile iron per ASTM A536
- Gasket:** Buna-N per ASTM D2000
- Bolts and Heavy Hex Nuts:** High strength, low alloy per ASTM A242
- Options Include:** EPDM Gasket - add "-EPDM" to Catalog Number  
 Conductivity Strips - add "-CS" to Catalog Number  
 Blue Fluorocarbon Coated Nuts and Bolts - add "-BBN" to Catalog Number  
 Type 304 Stainless Steel Bolts & Nuts - add "-SH" to Catalog Number  
 E-Coated Lugs - add "-E3" to Catalog Number  
 Long Starter Bolt - add "-A" to Catalog Number



NOM. PIPE SIZE	PIPE O.D.	CATALOG NUMBER	LENGTH	APPROX. WT. LBS.
2"	2.38	<b>FCC-238</b>	5"	4
2-1/2"	2.88	<b>FCC-288</b>	5"	5
3"	3.50	<b>FCC-350</b>	5"	5
3-1/2"	4.00	<b>FCC-400</b>	5"	8
4"	4.50	<b>FCC-450</b>	5"	9
5"	5.56	<b>FCC-556</b>	5"	10
6"	6.63	<b>FCC-663</b>	5"	11
8"	8.63	<b>FCC-863</b>	5"	12

## Style FIBC - For Class 160 and 200 Integral Bell Pipe Joined by Solvent Weld

The Ford Style FIBC Leak Clamp features 3 bolts and a step gasket with a tapered, overlapping seal that stops the leak between the integral bell and the PVC pipe.



### Specifications:

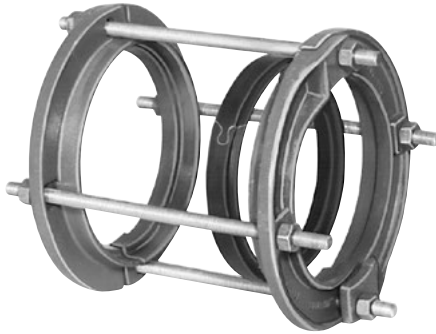
- Band:** 7.5 inch wide 18-8 Type 304 stainless steel
- Lugs:** Ductile Iron per ASTM A536
- Gasket:** SBR as per ASTM D2000
- Bolts and Heavy Hex Nuts:** High strength, low alloy per ASTM A242.
- Options Include:** Buna-N Gasket - add "-N" to Catalog Number  
 EPDM Gasket - add "-EPDM" to Catalog Number  
 Conductivity Strips - add "-CS" to Catalog Number  
 Blue Fluorocarbon Coated Nuts and Bolts - add "-BBN" to Catalog Number  
 Type 304 Stainless Steel Bolts & Nuts - add "-SH" to Catalog Number  
 E-Coated Lugs - add "-E3" to Catalog Number  
 Long Starter Bolt - add "-A" to Catalog Number

NOM. PIPE SIZE	PIPE O.D.	CATALOG NUMBER	LENGTH	APPROX. WT. LBS.
2"	2.38	<b>FIBC-238</b>	7.5"	4
2-1/2"	2.88	<b>FIBC-288</b>	7.5"	5
3"	3.50	<b>FIBC-350</b>	7.5"	5
3-1/2"	4.00	<b>FIBC-400</b>	7.5"	8
4"	4.50	<b>FIBC-450</b>	7.5"	9
5"	5.56	<b>FIBC-556</b>	7.5"	10
6"	6.63	<b>FIBC-663</b>	7.5"	11
8"	8.63	<b>FIBC-863</b>	7.5"	12

# Ford Bell Joint Leak Clamps

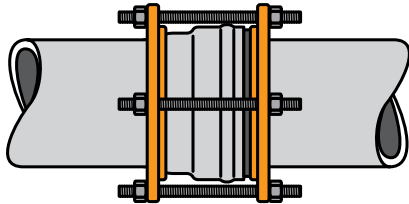
Style FBC

For Standard Steel Size PVC, Iron Pipe or \*C900 PVC



Ford Bell Joint Leak Clamps provide an easy and economical way of repairing leaking bell joints on PVC or iron pipe without recaulking or cutting out the joint. Two different listings of clamps are shown below, one for standard steel size PVC and the other for iron pipe or \*C900 PVC.

Ford Bell Joint Leak Clamps are easy to install. The clamp for cast iron pipe features an adjustable Buna-N gasket, field adaptable to fit either the older style pit cast or ductile iron pipe. This versatile gasket contains a removable "keyed" insert that eliminates cutting or gluing to fit the ductile iron pipe.



## Specifications:

- Body:** Ductile iron ASTM A536 with Black Armorguard E-coat (sizes 2" - 12")
- Gasket:** SBR rubber or Buna-N rubber per ASTM D2000
- Bolts and Nuts:** Low alloy ASTM A242 and AWWA C111 or A307 steel with di-chromate seal  
Optional: Stainless Steel nuts and bolts.  
Blue Fluorocarbon coated nuts and bolts - add "-BBN" to catalog number.

## Ford Bell Joint Leak Clamps for Ductile Iron, Cast Iron Pipe and C900\* (Buna-N Gasket)

NOM. PIPE SIZE	O.D. RANGE	CATALOG NUMBER	NO. OF BOLTS	APPROX. WT. LBS.	CAT. NO. FOR GASKET ONLY
4"	4.80-5.00	<b>FBC-500</b>	4	16	GBC-500
6"	6.90-7.10	<b>FBC-710</b>	4	19	GBC-710
8"	9.05-9.30	<b>FBC-930</b>	4	21	GBC-930
10"	11.10-11.40	<b>FBC-1140</b>	6	27	GBC-1140
12"	13.20-13.50	<b>FBC-1350</b>	6	31	GBC-1350

\*For use on C900 PVC, add "-C900" to the end of the catalog number. Example: FBC-500-C900. This option will include longer bolts to accommodate a C900 PVC pipe bell. Note the rod length with the "-C900" option is too long to accommodate an iron pipe bell.

## Standard Steel Size SDR-26 and SDR-21 PVC (SBR Gasket)

NOM. PIPE SIZE	SIZE	CATALOG NUMBER	NO. OF BOLTS	APPROX. WT. LBS.	CAT. NO. FOR GASKET ONLY
2"	2.38	<b>FBC-238</b>	2	5	GBC-238
2-1/2"	2.88	<b>FBC-288</b>	2	5	GBC-288
3"	3.50	<b>FBC-350</b>	2	5	GBC-350
4"	4.50	<b>FBC-450</b>	4	13	GBC-450
6"	6.63	<b>FBC-663</b>	4	14	GBC-663
8"	8.63	<b>FBC-863</b>	4	18	GBC-863
10"	10.75	<b>FBC-1075</b>	6	24	GBC-1075
12"	12.75	<b>FBC-1275</b>	6	28	GBC-1275

## Fabricated for Use on C905\*\* PVC or Ductile Iron

NOM. PIPE SIZE	SIZE	CATALOG NUMBER	MAX. BELL CLEARANCE	NO. OF BOLTS	APPROX. WT. LBS.	CAT. NO. FOR GASKET ONLY
14"	15.30	<b>FBCF-1530</b>	23-1/2"	8	120	GBC-1530
16"	17.40	<b>FBCF-1740</b>	25-9/16"	8	140	GBC-1740
18"	19.50	<b>FBCF-1950</b>	27-11/16"	10	160	GBC-1950
20"	21.60	<b>FBCF-2160</b>	29-13/16"	10	170	GBC-2160
24"	25.80	<b>FBCF-2580</b>	34"	12	207	GBC-2580
30"	32.00	<b>FBCF-3200</b>	40-3/16"	16	230	GBC-3200
36"	38.30	<b>FBCF-3830</b>	46-1/2"	18	260	GBC-3830

\*\* For use on C905 PVC, add "-C905" to the end of the catalog number. Example: FBCF-1530-C905. This option will include longer bolts to accommodate a C905 PVC pipe bell. Note the rod length with the "-C905" option is too long to accommodate an iron pipe bell.

## Ford Bolt Extension Kit

The Ford Bell Joint Leak Clamp requires extra long bolts to repair CertainTeed PVC pipe. Bolt extension kits are available and may be ordered from the table at right.

KIT CATALOG No.	SIZE	QUANTITY PER KIT	FOR USE ON
<b>BEK-1-4</b>	1/2"	4	FBC-450 FBC-663 FBC-863
<b>BEK-1-6</b>	1/2"	6	FBC-1075 FBC-1275
<b>BEK-2-4</b>	5/8"	4	FBC-930
<b>BEK-2-6</b>	5/8"	6	FBC-1140 FBC-1350

# Ford Abandoned Corp Cap

## Style FACC

Accommodates nominal pipe sizes 4" through 24"

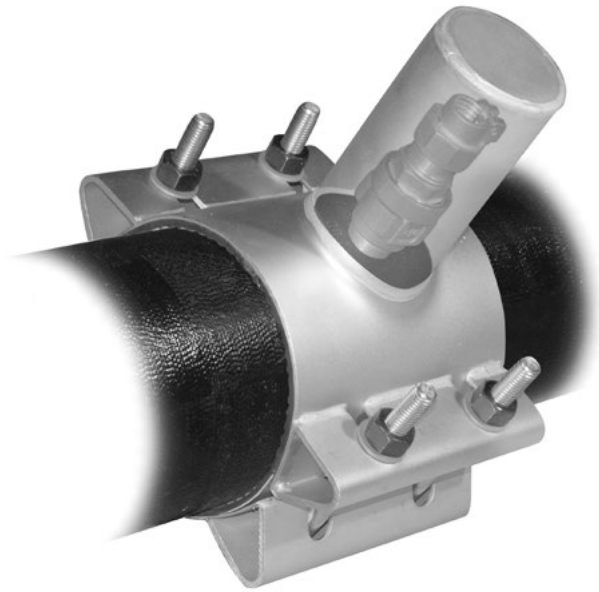
The Ford Abandoned Corporation Cap provides a quick and easy way to encapsulate corporation stops that are no longer used to provide water service. **Standard Corp Cap fits up to 1"**. For larger corps, add "-XL" to the end of the part number.

### Specifications:

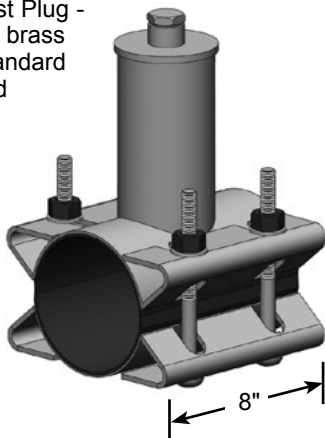
**Body:** 18-8 type 304 stainless steel construction  
**Gasket:** Gridded SBR full pad gasket  
**Outlet Gasket:** Buna-N outlet gasket  
**Bolts and Nuts:** 18-8 type 304 stainless steel hardware

CAP SIZE	CORP RANGE
3"	1/2" - 1"
*5"	1-1/4" - 2"

NOMINAL PIPE SIZE	SLEEVE O.D. RANGE	CATALOG NUMBER WITH 3" OUTLET
4"	4.50-4.80	FACC-480
	4.80-5.00	FACC-500
	5.10-5.30	FACC-530
	5.20-5.40	FACC-540
*6"	6.63-7.00	FACC-700
	6.90-7.30	FACC-730
	7.30-7.50	FACC-750
*8"	8.63-9.05	FACC-905
	9.05-9.30	FACC-930
	9.30-9.60	FACC-960
	9.45-9.75	FACC-975
*10"	10.75-11.10	FACC-1110
	11.10-11.40	FACC-1140
	11.40-11.70	FACC-1170
	11.85-12.15	FACC-1215
*12"	12.75-13.20	FACC-1320
	13.20-13.50	FACC-1350
	13.50-13.80	FACC-1380
*14"	14.10-14.40	FACC-1440
	15.30-15.70	FACC-1570
	15.80-16.20	FACC-1620
	16.48-16.88	FACC-1688
*16"	17.40-17.80	FACC-1780
	17.75-18.15	FACC-1815
	18.15-18.60	FACC-1860
	18.80-19.20	FACC-1920
*18"	19.50-19.92	FACC-1992
	19.80-20.20	FACC-2020
*20"	20.20-20.60	FACC-2060
	21.20-21.60	FACC-2160
*24"	23.80-24.20	FACC-2420
	25.60-26.00	FACC-2600
	26.20-26.60	FACC-2660



▲ Optional Test Plug - Waterworks brass 3/4" with standard square head



### Options Include:

▲ Add "-TP" to end of catalog number for Test Plug option.

Example: FACC-930-TP

\* Optional: 5" cap to encapsulate 1-1/4" through 2" corporation stops, add "-XL" following the sleeve O.D.

Example: FACC-930-XL

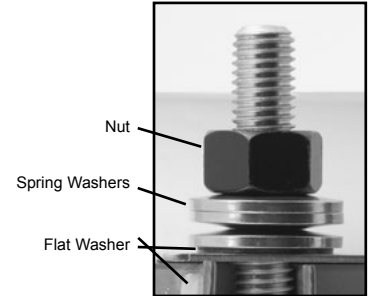
# Application Information for HDPE

## HDPE

High Density Polyethylene (HDPE) pipe is much more flexible than PVC pipe and expands and contracts with temperature and pressure variations. The expansion/contraction of the pipe is due to the high coefficient of thermal expansion (from AWWA M23, PVC Pipe – Design & Installation). Because the water and ambient temperature affects the diameter of the pipe, our products are recommended to be used in underground applications where the water temperature flowing through the pipe remains between 55° F and 85° F.

## BELLEVILLE WASHERS

Belleville washers, also referred to as spring washers, are used on repair clamps, saddles, and tapping sleeves when installed on HDPE pipe to address pipe outside diameter variations when the pipe expands and contracts, promoting consistent force on the gasket. The Belleville washers are made of 17-7 PH stainless steel. Depending on the pipe size and recommended installation torque, Belleville washers are used singularly, or in a stack to allow for more expansion/contraction of the pipe diameter. During the initial installation, the Belleville washer(s) will compress. If the pipe expands, the washer(s) will continue compressing. As the pipe diameter contracts, the washer(s) will decompress (or spring back) to a cupped shape, keeping consistent force on the components to maintain the gasket compression.



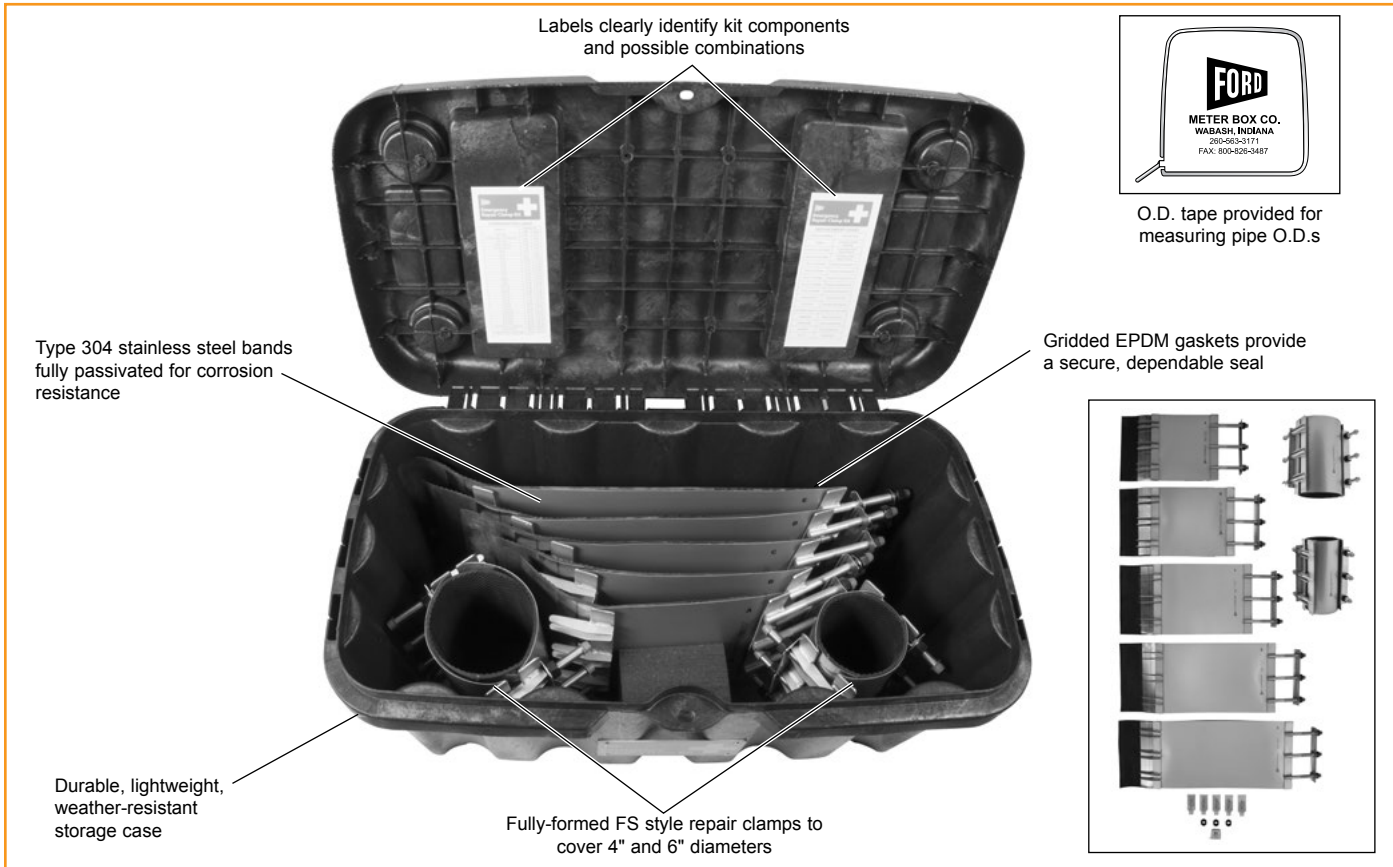
Note: All Ford products identified for use on HDPE pipe manufactured in accordance with ANSI/AWWA C906 have been designed and tested to ensure they will be watertight at pressures up to the rated pressure of the pipe. Ford has no opinion as to the suitability of its products, or of their effect, on HDPE pipe over the service lifetime of the HDPE pipe. Please consult the manufacturer of the HDPE pipe concerning its long term performance. **Only products specifically identified for use on HDPE should be used on HDPE.**

# Emergency Repair Clamp Kit

## Style FSERK

The Ford Emergency Repair Clamp Kit is an all-inclusive repair solution for most pipe diameters between 4.50" and 33.74" (O.D.s). Designed for emergencies, the kit proactively prepares water utilities for a situation where the pipe O.D. may not be known. The stainless steel bands are clearly identified and, when combined together, reach specific O.D. ranges. For example, when A + D are combined, they create a repair clamp for a 10.39" - 11.18" pipe O.D.

### Features



### Kit Options and Accessories

**Wider Length Clamps** – For increased pipe coverage, order the FSERK-L15 for 15" wide clamps, FSERK-L20 for 20" wide clamps, and FSERK-L24 for 24" wide clamps.

**Optional Tapped Panel** – The tapped outlet is 18-8 Type 304 stainless steel and is fused to the clamp band by a fully passivated TIG weld. To order, add the tap code from the table to the required stainless steel band.

**316 Stainless Steel Hardware Kit** – For kits built with 316 stainless steel, add "-Q" to the end of the kit part number.

**HDPE Accessory Kits** – These kits contain Belleville/Spring washers for use with HDPE pipe.

CATALOG NUMBER	DESCRIPTION
<b>FSERK</b>	Complete Repair Clamp Kit
<b>FS2-524-125-FSERK</b>	4" Stainless Steel Repair Clamp
<b>FS2-742-125-FSERK</b>	6" Stainless Steel Repair Clamp
<b>FS1-A-125-EPDM</b>	Stainless Steel Band "A"
<b>FS1-B-125-EPDM</b>	Stainless Steel Band "B"
<b>FS1-C-125-EPDM</b>	Stainless Steel Band "C"
<b>FS1-D-125-EPDM</b>	Stainless Steel Band "D"
<b>FS1-E-125-EPDM</b>	Stainless Steel Band "E"
<b>FN-58-SH-EP3</b>	Stainless Steel Nut
<b>FW-58-SS</b>	Stainless Steel Washer
<b>LIFTERBAR-55034-02</b>	Stainless Steel Lifter Bar
<b>FSERK-BOX</b>	Plastic Carrier Box
<b>FSERK-FOAM</b>	Foam Insert for Box
<b>OD-TAPE</b>	O.D. Tape Measure
<b>FLP-10</b>	Lube Packet

### Tapping Codes

CC (AWWA) THREAD		IP THREAD	
SIZE	CODE NUMBER	SIZE	CODE NUMBER
3/4"	CC3	3/4"	IP3
1"	CC4	1"	IP4
1-1/4"	*CC5	1-1/4"	*IP5
1-1/2"	CC6	1-1/2"	IP6
2"	CC7	2"	IP7

\* Contact factory for availability



# O.D. Chart

PIPE SIZE	PVC/HDPE (STEEL SIZE) O.D.	PVC/HDPE C900/C905 O.D.	DUCTILE / CAST IRON			ASBESTOS-CEMENT			STEEL		COPPER
			CLASSES		O.D.	CLASS	MACHINED END O.D.	ROUGH BARREL O.D. MIN - MAX	TYPE	O.D.	O.D.
			PIT	SPUN							
1/2"	.84								STD.	.84	.625
3/4"	1.05								STD.	1.05	.875
1"	1.32								STD.	1.32	1.125
1-1/4"	1.66								STD.	1.66	1.375
1-1/2"	1.90								STD.	1.90	1.625
2"	2.38				2.50				STD.	2.38	2.125
2-1/2"	2.88								STD.	2.88	2.625
3"	3.50		A		3.80	100	3.74	4.00	O.D.	3.00	3.125
			B, C, D	50 - 350	3.96	150	3.84	4.10	STD.	3.50	
						200	3.84	4.29			
3-1/2"								STD.	4.00	3.625	
4"	4.50	4.80	A	50 - 350	4.80	100	4.64	4.79 - 5.14	O.D.	4.00	4.125
			B, C, D		5.00	150	4.81	4.97 - 5.27	STD.	4.50	
						200	4.81	5.22 - 5.57			
4-1/2"								STD.	5.00		
5"								STD.	5.56	5.125	
6"	6.63	6.90	A	50 - 350	6.90	100	6.91	7.05 - 7.40	O.D.	6.00	6.125
			B, C, D,		7.10	150	6.91	7.07 - 7.37	STD.	6.63	
			E, F		7.22	200	6.91	7.26 - 7.56			
7"								STD.	7.63		
8"	8.63	9.05	A, B,	50 - 300	9.05	100	9.11	9.22 - 9.57	O.D.	8.00	
			C, D,	350	9.30	150	9.11	9.27 - 9.57	STD.	8.63	
			E, F		9.42	200	9.11	9.39 - 9.74			
9"								STD.	9.63		
10"	10.75	11.10	A, B,	50 - 200	11.10	100	11.24	11.42 - 11.77	O.D.	10.00	
			C, D,	250 - 350	11.40	150	11.66	11.82 - 12.12	STD.	10.75	
			E, F		11.60	200	11.66	11.77 - 12.12			
12"	12.75	13.20	A, B,	50 - 200	13.20	100	13.44	13.69 - 14.04	O.D.	12.00	
			C, D,	250 - 350	13.50	150	13.92	14.08 - 14.38	STD.	12.75	
			E, F		13.76	200	13.92	14.03 - 14.38			
14"	14.00	15.30	A, B,	50 - 100	15.30	100	15.07	15.40 - 15.80	STD.	14.00	
			C, D,	150 - 300	15.65	150	16.22	16.38 - 16.73			
			E, F		15.98	200	16.22	16.48 - 16.88			
16"	16.00	17.40	A, B,	50 - 100	17.40	100	17.14	17.54 - 17.94	STD.	16.00	
			C, D,	150 - 300	17.80	150	18.46	18.62 - 18.97			
			E, F		18.16	200	18.46	18.79 - 19.19			
18"	18.00	19.50	A, B	50 - 100	19.50	100	19.90	20.44	STD.	18.00	
			C, D	150 - 250	19.92	150	20.94	21.20			
						200	22.18				
20"	20.00	21.60	A, B,	50 - 100	21.60	100	22.12	22.50	STD.	20.00	
			C, D	150 - 250	22.06	150	23.28	23.54			
						200	24.66				
22"								STD.	22.00		
24"	24.00	25.80	A, B,	50 - 100	25.80	100	26.48	27.17	STD.	24.00	
			C, D	150 - 250	26.32	150	27.96	28.22			
						200	29.62				
30"	30.00	32.00	A		31.74				STD.	30.00	
			B	50 - 350	32.00						
			C		32.40						
			D		32.74						
36"	36.00	38.30	A		37.96				STD.	36.00	
			B	50 - 350	38.30						
			C		38.70						
			D		39.16						
42"		44.50	A		44.20				STD.	42.00	
			B	50 - 350	44.50						
			C		45.10						
			D		45.58						
48"		50.80	A		50.50				STD.	48.00	
			B	50 - 350	50.80						
			C		51.40						
			D		51.98						
54"			A		56.66				STD.	54.00	
			B		57.10						
				50 - 350	57.56						
			C		57.80						
60"			D		58.40				STD.	60.00	
				50 - 350	61.61						
			A		62.80						
			B		63.40						
			C		64.20						
			D		64.82						

**Note:** Due to variations in outside diameters and specifications, dimensions listed above are approximate. For this reason, determine the pipe O.D. before ordering.





# Section L

# Ford Pipe Repair Products

## Warranty

All merchandise is warranted to be free from defects in material and factory workmanship for one year from date of shipment from our factory. We will provide, free of charge, new products in equal quantities for any that prove defective within one year from date of shipment from our factory. Manufacturer shall not be liable for any loss, damage, or injury, direct or consequential, arising out of the use of or the inability to use the product. Before using, user shall determine the suitability of the product for user's intended use and user assumes all risk and liability whatever in connection therewith. No claims for labor or consequential damage will be allowed. The foregoing may not be changed except by agreement signed by an officer of the manufacturer.

No other warranties are applicable or may be implied, including the implied warranty of merchantability and the implied warranty of fitness for particular purpose and any warranty relating to infringement or the like, all of which are disclaimed.

### **Please Note:**

Consult The Ford Meter Box Company, Inc. website ([www.fordmeterbox.com](http://www.fordmeterbox.com)) for the most recent catalog information. The Ford Meter Box Company considers the information in this catalog to be correct at the time of publication. Items and option availability, including specifications, are subject to change without notice. Please verify that your product information is current.



**The Ford Meter Box Co., Inc.** 775 Manchester Avenue, P.O. Box 443, Wabash, Indiana, USA 46992-0443  
Telephone: 260-563-3171 FAX: 800-826-3487 Overseas FAX: 260-563-0167 [www.fordmeterbox.com](http://www.fordmeterbox.com)