

Neles Easyflow™ manual valve gear Series MEG

The quarter-turn MEG series manual gear has been engineered to meet the general service requirements of industrial environment. It has a cast iron body construction and high performance axial bearings to enable smooth and accurate operation. Corrosion protection is achieved by polyurethane painting. These gear operators are well suited for water and waste water, sewage treatment, mining, fuel oil and gas, cooling or chilled water circuits, desalination, HVAC, cement and other fine powders, mild corrosive chemicals and petrochemical applications. MEG series manual gears are IP65 capable and achieves exceptional durability.



Features and general specification

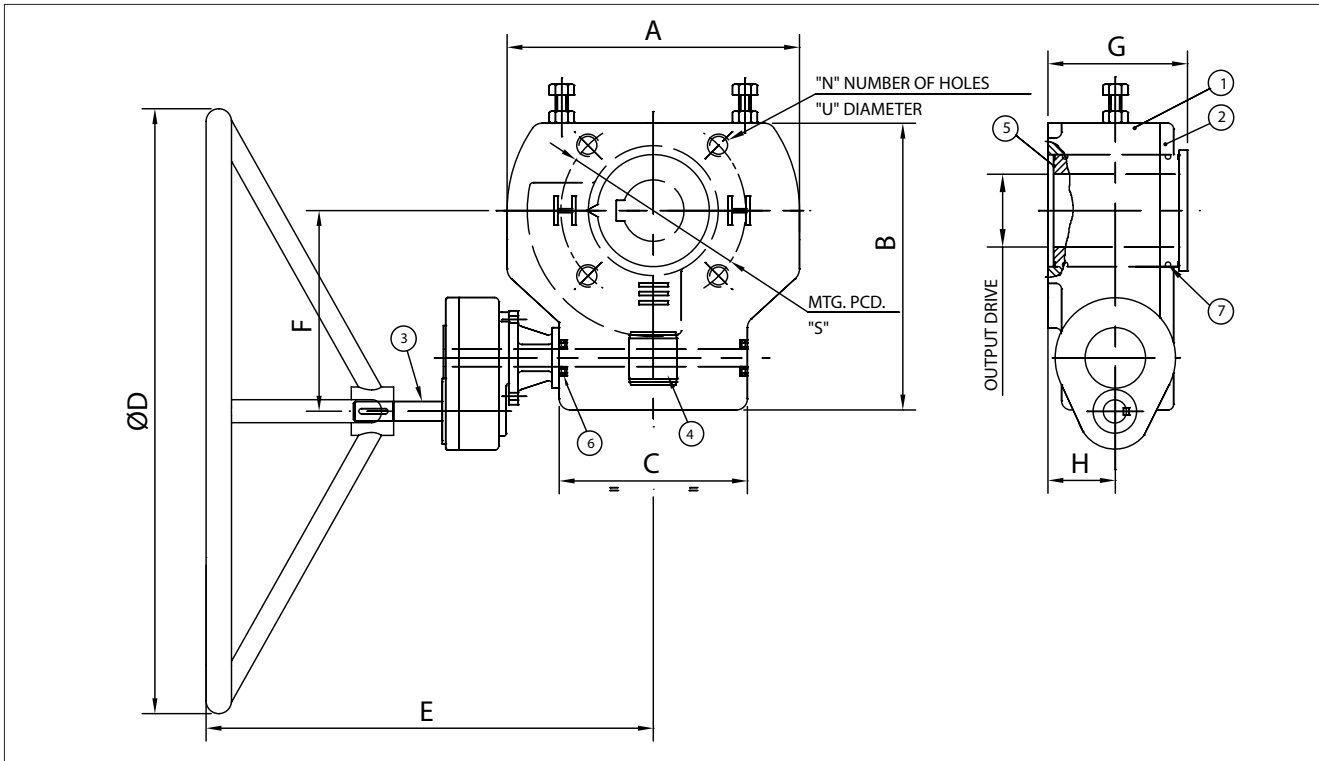
- Sealed to IP65
- Steel indicator cap as standard
- Self locking/high efficiency
- Cast iron enclosure, steel input shaft
- $90^\circ \pm 5^\circ$ (adjustable) travel
- up to 6000 Nm / 4425 ft-lb output torque
- $-20...+85^\circ\text{C}$ / $-4...+185^\circ\text{F}$ temperature range for continuous operation
- Grease filled for life, thus maintenance free
- Polyurethane coating

Options

- Optional Input padlock flange
- Optional Chainwheel operation with and without padlock flange

Model	Ratio	Torque output		Torque input		M.A. $\pm 10\%$	Weight		Turns to close
		N.m	ft-lb	N.m	ft-lb		kg	lb	
MEG225	27:1	225	166	26	19	8,5	3	6,6	7
MEG350	35:1	350	258	33	24	10,5	4	8,8	9
MEG800	40:1	800	590	62	46	13	8,5	18,7	10
MEG1100	48:1	1100	811	76	56	14,4	10,5	23,2	12
MEG2500	53:1	2500	1844	156	115	16	21	46,3	14
MEG5000	125:1	5000	3688	157	116	31,8	40	88,2	32
MEG6000	155:1	6000	4425	152	112	39,5	46	101,4	39

Dimensions



GEAR MODEL	OUTPUT DRIVE SIZE (FEMALE)	MOUNTING FLANGE ISO 5211	Dimensions 'mm'								S	N	U
			A	B	C	ØD	E	F	G	H			
22514	14 mm square	F05	85	100	85	175	150	39	60	30	50	4	M6
22517	17 mm square	F07	85	100	85	175	150	39	60	30	70	4	M8
35022	22 mm square	F10	104	125	85	250	180	47	56	29	102	4	M10
800	22 mm square	F10	130	158	95	350	258	67	78	41.5	102	4	M10
1100	45 mm diameter	F14	150	180	92	350	258	77	86	55	140	4	M16
2500	45 mm diameter	F14	205	207	143	500	332	103	97	53	140	4	M16
5000	45 mm diameter	F14	240	240	180	600	475	120	115	65	140	4	M16
6000	70 mm diameter	F16	265	265	180	600	475	132	128	68	165	4	M20

Parts list

Part no.	Description	Material	Specification
1	Housing	Cast iron	GG25/ASTM A48-40
2	Cover	Cast iron	GG25/ASTM A48-40
3	Input shaft	Steel	410 Stainless steel/EN8
4	Worm	Steel	EN8
5	Worm wheel	S.G. Iron	S.G. Iron
6	Thrust bearing/pad	Standard	
7	O-ring/gasket	Standard	Nitrile/Cork

How to order

1.	2.	3.	4.	5.	6.	7.
MEG	22517					

1.	Product series
MEG	Series MEG, manual gear operator for rotary valves with mounting base dimensions as per ISO 5211 (Neles Easyflow™)

2.	Output torque	Drive size	ISO 5211 base	Handwheel diameter
22514	225 N.m	14 mm square female	F05	175 mm
22517	225 N.m	17 mm square female	F07	175 mm
35022	350 N.m	22 mm square female	F10	250 mm
800	800 N.m	22 mm square female	F10	350 mm
1100	1100 N.m	45 mm diameter female	F14	350 mm
2500	2500 N.m	45 mm diameter female	F14	500 mm
5000	5000 N.m	45 mm diameter female	F14	600 mm
6000	6000 N.m	70 mm diameter female	F16	600 mm

3.sign	Operation
-	Blank, Handwheel without padlock flange
PF*	Handwheel with padlock flange
C*	Chainwheel without padlock flange
CPF*	Chainwheel with padlock flange

*) Non-standard options

4.	Temperature rating
-	Blank, Standard Temperature: -20°C to +85°C

5.	Enclosure rating
-	Blank, Standard rating – IP 65

6.	Options
-	Blank, standard option
Y	Special construction, to be specified everytime. e.g. special painting, powder coating, etc.

7.	Model code*
A	Model-A for all sizes

* Model code not required when ordering

NOTE:

As the use of the manual gear is application specific, a number of factors should be taken into account when selecting a manual gear for a given application. Therefore, some of the applications in which the manual gears are used are outside the scope of this document. If you have any questions concerning the use, application or compatibility of the manual gears with the intended service, contact nearest Valmet sales office for more information.

Valmet Flow Control Oy

Vanha Porvoontie 229, 01380 Vantaa, Finland.

Tel. +358 10 417 5000.

www.valmet.com/flowcontrol

Subject to change without prior notice.

Neles, Neles Easyflow, Jamesbury, Stonel, Valvcon and Flowrox, and certain other trademarks, are either registered trademarks or trademarks of Valmet Oyj or its subsidiaries in the United States and/or in other countries.

For more information www.neles.com/trademarks

