



ChlorTainer is a high-pressure containment vessel into which a 150-lb chemical cylinder is processed. If the cylinder should leak, all chemicals are contained within the vessel and processed at a normal rate, so no hazardous waste is generated. Scrubber systems, fans, pumps, tanks, and mechanical system are not required. ChlorTainer addresses RMP considerations, enhances site security, and provides fail-safe protection for plant operators.

Our Single 150 vessel accommodates one 150-lb cylinder, while the Twin & Dual ChlorTainers accommodate two 150-lb cylinders. The Twin processes both cylinders simultaneously, while the Dual processes gas from only one cylinder at a time and is designed for automatic switchover capabilities. Whether you need a 150 Single, Twin, or Dual ChlorTainer, all vessels come with a 2-bolt chain-drive closure, a scale system and a movable loader.

**The Safest, Most Reliable Technology for Processing  
and Preventing a Chemical Release**



For the safety of water treatment plants and industrial facilities, ChlorTainer is the best way to store and process hazardous chemicals.

It is a simple secondary containment vessel that can be installed indoors, or even located in an open-air structure as long as it provides shelter from direct sunlight and rain.

ChlorTainer provides safety and containment for processing a variety of chemicals such as chlorine gas, sulfur dioxide, and anhydrous ammonia.

ChlorTainer provides dependable operation with minimal annual maintenance and is designed to have a life expectancy of no less than 100 years.

Design Pressure	285 psig @ 300° F
Minimum Design Metal Temperature	-20° F @ 285 psig
Corrosion Allowance	1/16 inch
Fabrication Code	ASME Section VIII, Div 1
Hydro Test	380 psig per UG-99
Interior Paint	2.5-3.0 Mils DFT Inorganic Zinc
Exterior Paint	4-6 Mils DFT Epoxy 2 Mils DFT Polyurethane
Welding	ASME Code Section IX
Vessel Weight	1,500 pounds
Materials Used	Carbon Steel Vessel, Monel 400 Bosses

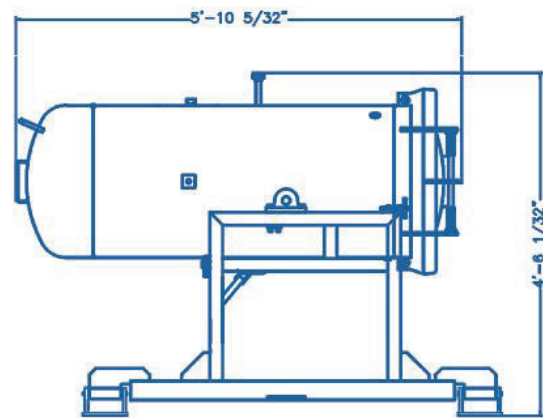
NOTE: Material used may vary when designed for other toxic gases

**CHLORTAINER**

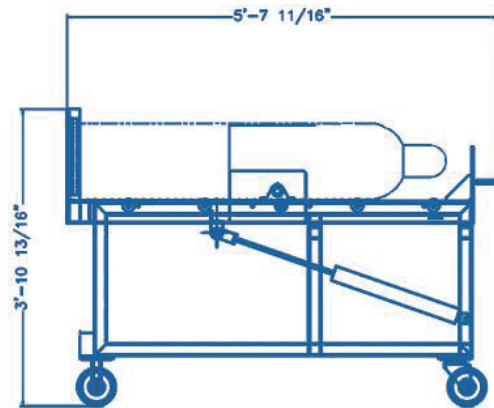
TOTAL CONTAINMENT SYSTEM

(800) 543-6603

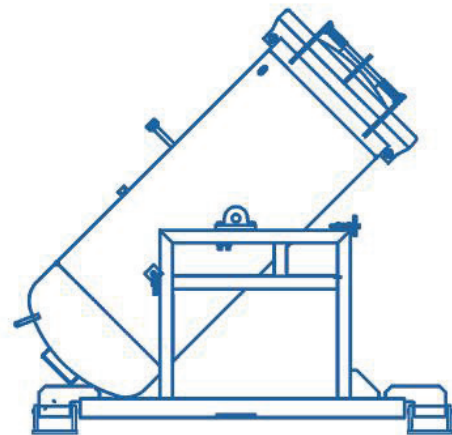
sales@ChlorTainer.com  
www.ChlorTainer.com



Side View of Vessel  
Positioned for Cylinder Loading



Side View of Loader  
Positioned for Cylinder Loading



Side View of Vessel  
Positioned for Operating